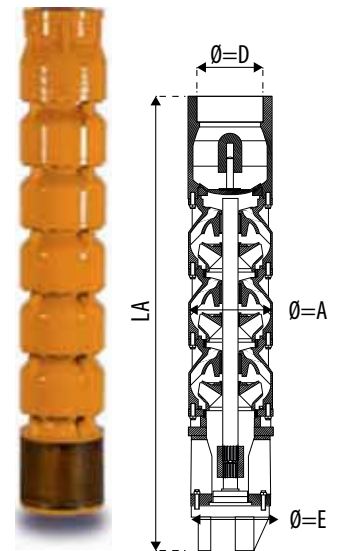


PERFORMANS TABLOSU / PERFORMANCE CHART

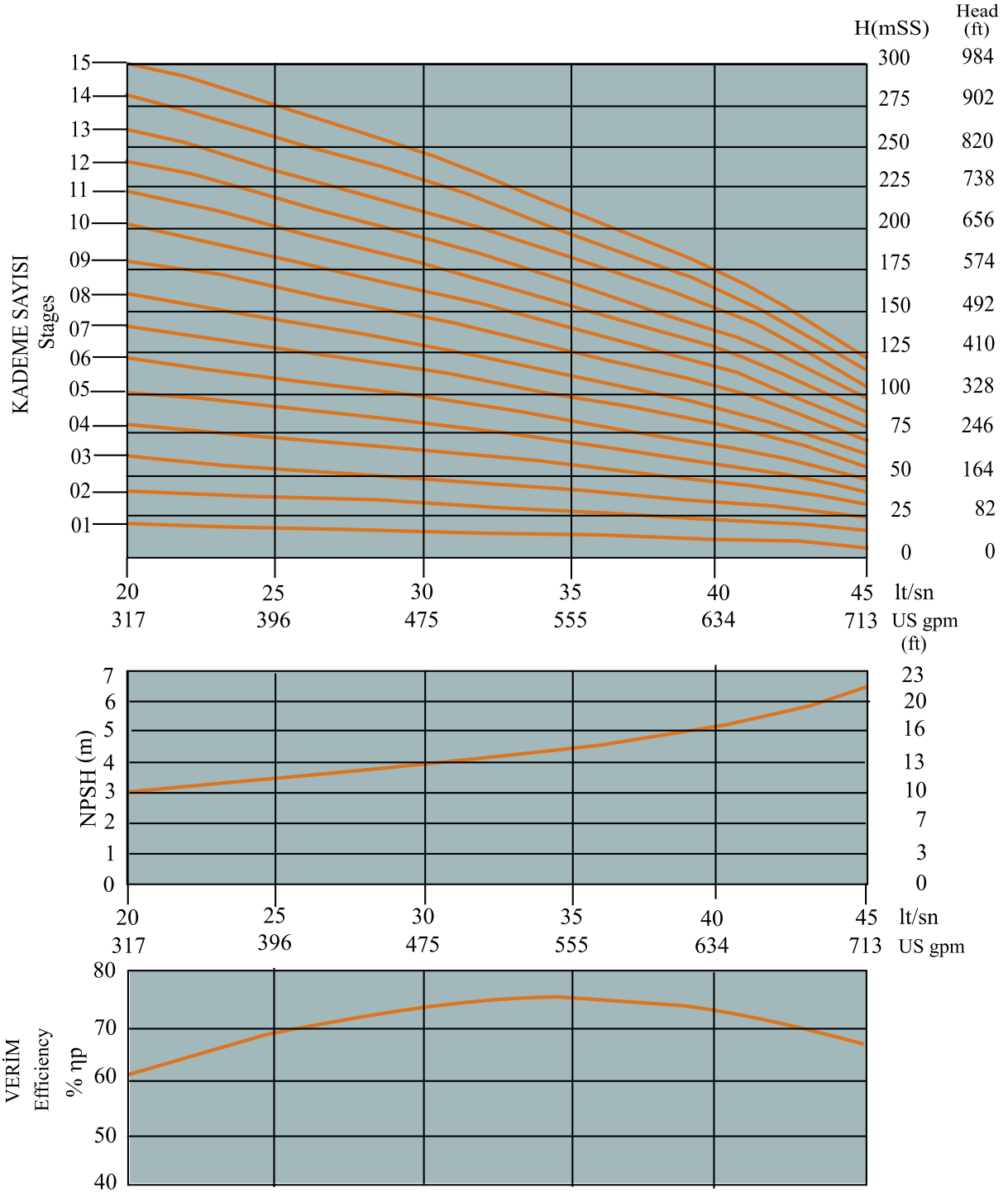
Pompa Tipi PumpType	Güç Power	Güç Power	Q m ³ /h Q lt/sec	72	79	86	94	100	108	115	122	130	137	144	151	162
	HP	kW		20	22	24	26	28	30	32	34	36	38	40	42	45
8122 / 01	10	7,5	MMS (m)	20	20	19	18	17	16	15	14	14	12	11	10	8
8122 / 02	20	15		40	39	37	35	34	33	31	29	27	24	22	21	16
8122 / 03	30	22		60	59	56	53	51	49	46	43	41	36	33	31	24
8122 / 04	40	30		80	78	74	71	68	66	62	58	54	48	44	41	32
8122 / 05	50	37		100	98	93	89	86	82	77	72	68	60	55	52	40
8122 / 06	60	45		120	117	112	106	103	98	92	86	81	72	68	62	48
8122 / 07	75	55		140	137	130	124	120	115	108	101	95	88	82	72	56
8122 / 08	85	63		160	156	149	142	137	131	123	115	108	100	94	82	64
8122 / 09	95	70		180	176	167	159	154	148	139	130	122	112	106	93	72
8122 / 10	110	81		200	195	186	177	171	164	154	144	135	125	118	103	80
8122 / 11	125	92		220	215	205	195	186	180	169	156	149	136	129	113	86
8122 / 12	125	92		240	234	223	212	205	197	185	173	162	150	141	124	96
8122 / 13	150	110		260	254	242	230	222	213	200	187	176	160	153	134	104
8122 / 14	150	110		280	273	260	248	239	230	216	202	180	175	165	144	112
8122 / 15	150	110		300	293	279	266	257	246	236	216	203	185	175	155	120

ÖLÇÜ TABLOSU / DIMENSIONS CHART

Pompa Tipi PumpType	Güç Power	Güç Power	Motor Tipi Motor Type	Ø=D	Q=A	Q=E	Pompa Uzunluğu Pump Length	Pompa Ağırlığı Pump Weight
	HP	kW			mm	mm	LA (mm)	Kg
8122 / 01	10	7,5	6"	5" - 6"	205	207	570	38
8122 / 02	20	15					710	51
8122 / 03	30	22					850	64
8122 / 04	40	30	6" 7" 8"				990	77
8122 / 05	50	37					1130	90
8122 / 06	60	45	7" 8"				1270	103
8122 / 07	75	55	8"				1410	116
8122 / 08	85	63					1550	129
8122 / 09	95	70					1690	142
8122 / 10	110	81	8" 10"				1830	155
8122 / 11	125	92					1970	168
8122 / 12	125	92					2110	181
8122 / 13	150	110	10"				2250	194
8122 / 14	150	110					2390	207
8122 / 15	150	110					2530	220



ÜRÜN ÖZELLİKLERİ			PRODUCT SPECIFICATIONS		
Ara Çanak	Pik Döküm	GG20	Intermediate Bowl	Stainless Steel	GG20
Fan	Pik Döküm	GG20	Impeller	Stainless Steel	GG20
Pompa Mili	Paslanmaz Çelik	AISI 420	Pump Shaft	Stainless Steel	AISI 420
Kaplin	Paslanmaz Çelik	AISI 420	Coupling	Stainless Steel	AISI 420
Filtre & Kablo Kanalı	Paslanmaz Çelik	AISI 420	Filter & Cable Guard	Stainless Steel	AISI 420
Klepe	Paslanmaz Çelik	AISI 420	Valve Cap	Stainless Steel	AISI 420



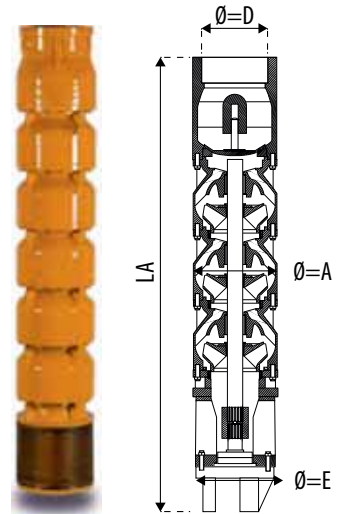
PERFORMANS TABLOSU / PERFORMANCE CHART

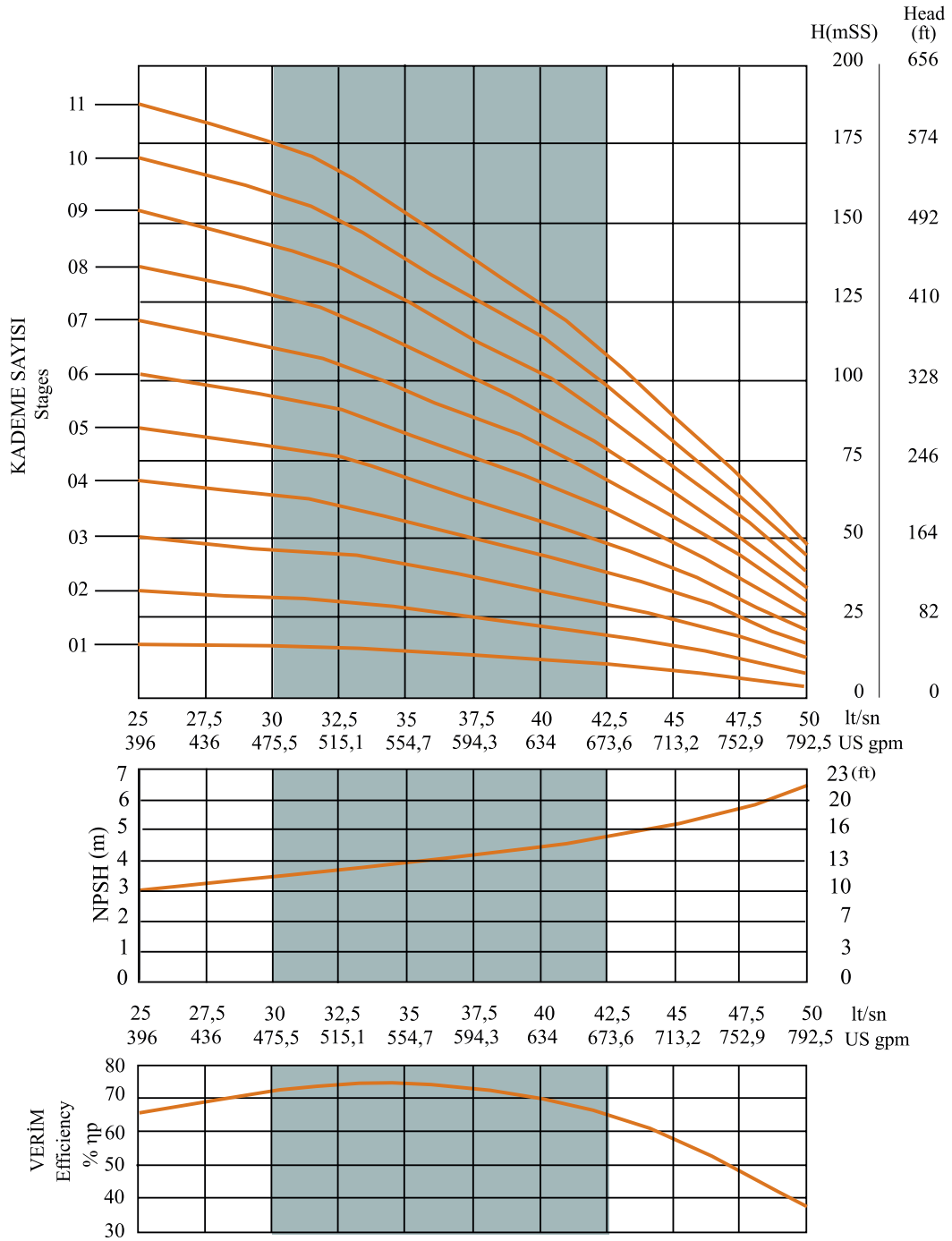
Pompa Tipi PumpType	Güç Power	Güç Power	Q m ³ /h Q lt/sec	90	99	108	117	126	135	144	153	162	171	180
	HP	kW		25	28	30	33	35	38	40	43	45	48	50
8131 / 01	10	7,5	MMS (m)	17	16	15	15	13	13	11	9	9	6	4
8131 / 02	20	15		34	32	31	31	27	25	22	19	17	12	8
8131 / 03	30	22		51	49	47	46	41	38	34	29	25	19	13
8131 / 04	40	30		68	65	63	61	55	50	45	39	33	25	17
8131 / 05	50	37		85	82	79	76	69	63	57	49	41	32	22
8131 / 06	60	45		102	98	95	91	83	75	68	59	49	38	26
8131 / 07	75	55		119	115	111	106	97	88	80	69	57	45	31
8131 / 08	80	63		136	131	127	121	111	100	91	79	65	51	35
8131 / 09	90	70		153	148	143	136	125	113	103	89	73	58	40
8131 / 10	100	81		170	164	159	151	139	125	114	99	81	64	44
8131 / 11	110	92		187	181	175	166	153	138	126	109	89	71	49

ÖLÇÜ TABLOSU / DIMENSIONS CHART

Pompa Tipi PumpType	Güç Power	Güç Power	Motor Tipi Motor Type	Ø=D	Q=A	Q=E	Pompa Uzunluğu Pump Length LA (mm)	Pompa Ağırlığı Pump Weight Kg
	HP	kW			mm	mm		
8131 / 01	10	7,5	6"	5"	190	192	582	40
8131 / 02	20	15					728	52
8131 / 03	30	22					874	63
8131 / 04	40	30	6" 7" 8"				1020	75
8131 / 05	50	37					1166	86
8131 / 06	60	45	7" 8"				1312	98
8131 / 07	75	55					1458	109
8131 / 08	80	63					1604	121
8131 / 09	90	70	8" 10"				1750	132
8131 / 10	100	81					1896	144
8131 / 11	110	92					2042	155

ÜRÜN ÖZELLİKLERİ			PRODUCT SPECIFICATIONS		
Ara Çanak	Pik Döküm	GG20	Intermediate Bowl	Stainless Steel	GG20
Fan	Pik Döküm	GG20	Impeller	Stainless Steel	GG20
Pompa Mili	Paslanmaz Çelik	AISI 420	Pump Shaft	Stainless Steel	AISI 420
Kaplin	Paslanmaz Çelik	AISI 420	Coupling	Stainless Steel	AISI 420
Filtre & Kablo Kanalı	Paslanmaz Çelik	AISI 420	Filter & Cable Guard	Stainless Steel	AISI 420
Klepe	Paslanmaz Çelik	AISI 420	Valve Cap	Stainless Steel	AISI 420





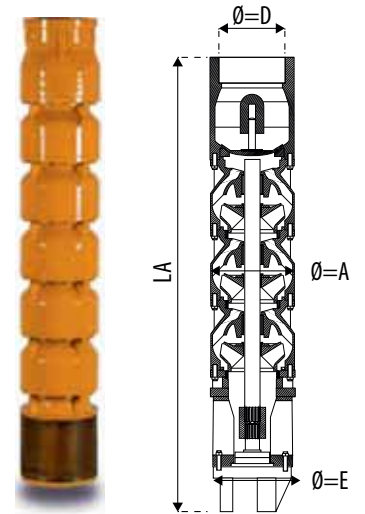
PERFORMANS TABLOSU / PERFORMANCE CHART

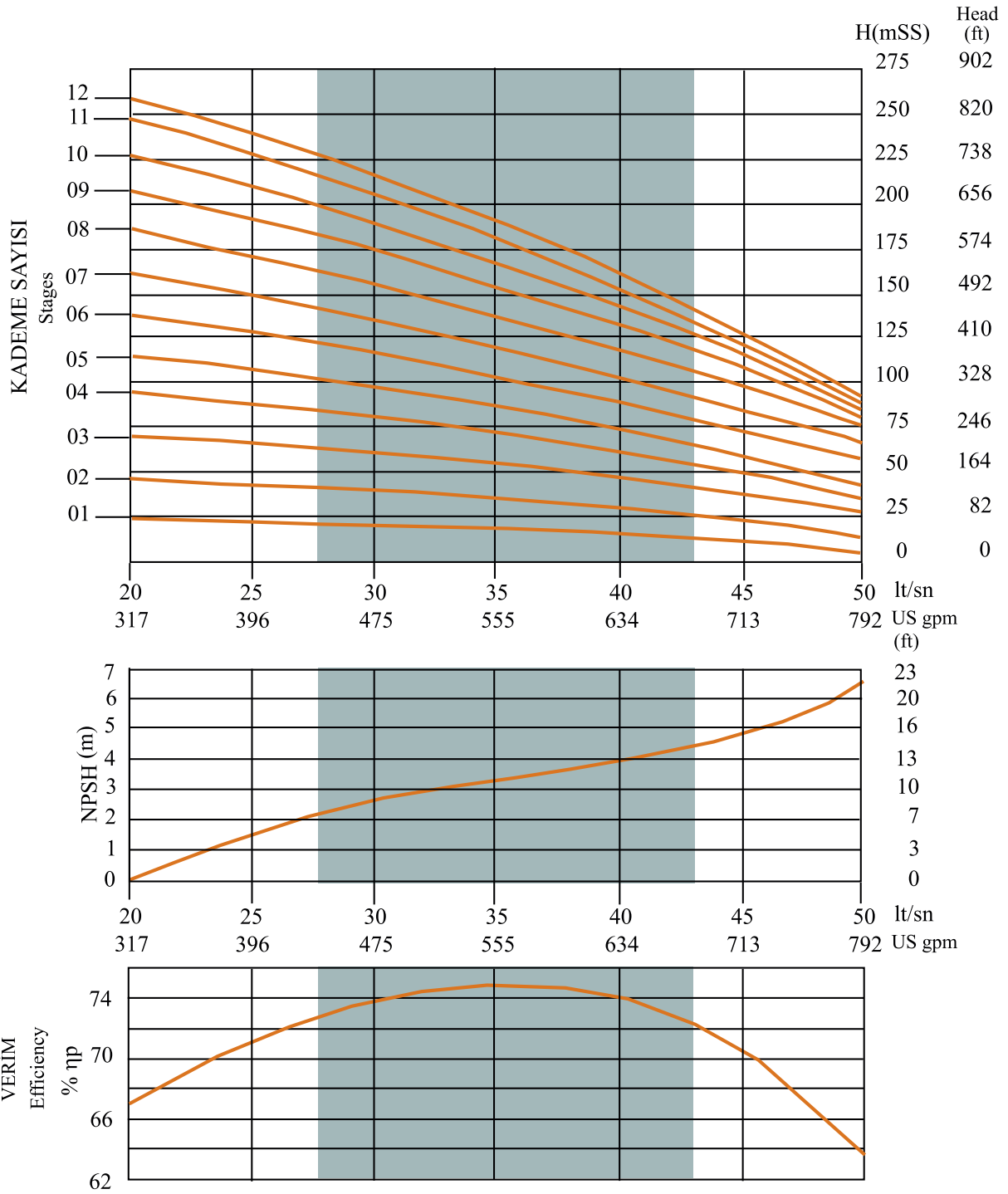
Pompa Tipi PumpType	Güç Power	Güç Power	Q m ³ /h Q lt/sec	0	72	79	86	95	109	124	140	154	170	180
	HP	kW		0	20	22	23,9	26,4	30,3	34,5	38,8	42,8	47,2	50
8140 / 01	12,5	9	MMS (m)	28	23	23	22	21	19	18	16	14	10	6
8140 / 02	25	18,5		57	46	45	44	43	39	37	33	28	22	14
8140 / 03	40	30		88	71	69	68	66	61	56	51	43	36	26
8140 / 04	50	37		114	93	91	89	86	80	72	65	55	46	35
8140 / 05	75	55		140	114	112	109	105	97	88	78	67	54	44
8140 / 06	75	55		171	137	134	131	126	116	105	93	81	67	58
8140 / 07	95	70		203	160	156	152	147	136	121	109	95	80	67
8140 / 08	100	75		227	183	178	173	168	154	138	128	109	90	76
8140 / 09	110	81		251	205	201	195	189	172	155	147	124	100	80
8140 / 10	125	90		275	225	220	214	205	188	169	153	129	104	85
8140 / 11	150	110		298	245	238	233	221	203	182	158	137	112	90
8140 / 12	150	110		313	257	250	245	230	210	189	172	143	115	95

ÖLÇÜ TABLOSU / DIMENSIONS CHART

Pompa Tipi PumpType	Güç Power	Güç Power	Motor Tipi Motor Type	Ø=D	Q=A	Q=E	Pompa Uzunluğu Pump Length	Pompa Ağırlığı Pump Weight
	HP	kW			mm	mm	LA (mm)	Kg
8140 / 01	12,5	9	6"	5" - 6"	205	207	590	34
8140 / 02	25	18,5					730	46
8140 / 03	40	30	6" 7" 8"				870	58
8140 / 04	50	37					1010	70
8140 / 05	75	55	8"				1150	82
8140 / 06	75	55					1290	94
8140 / 07	95	70	8" 10"				1430	106
8140 / 08	100	75					1570	118
8140 / 09	110	81	10"				1710	130
8140 / 10	125	90					1850	142
8140 / 11	150	110	1990				154	
8140 / 12	150	110	2130				166	

ÜRÜN ÖZELLİKLERİ			PRODUCT SPECIFICATIONS		
Ara Çanak	Pik Döküm	GG20	Intermediate Bowl	Stainless Steel	GG20
Fan	Pik Döküm	GG20	Impeller	Stainless Steel	GG20
Pompa Mili	Paslanmaz Çelik	AISI 420	Pump Shaft	Stainless Steel	AISI 420
Kaplin	Paslanmaz Çelik	AISI 420	Coupling	Stainless Steel	AISI 420
Filtre & Kablo Kanalı	Paslanmaz Çelik	AISI 420	Filter & Cable Guard	Stainless Steel	AISI 420
Klepe	Paslanmaz Çelik	AISI 420	Valve Cap	Stainless Steel	AISI 420





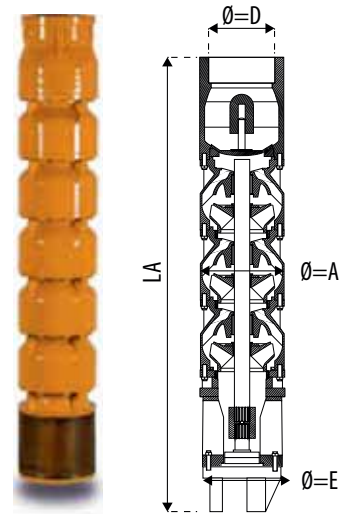
PERFORMANS TABLOSU / PERFORMANCE CHART

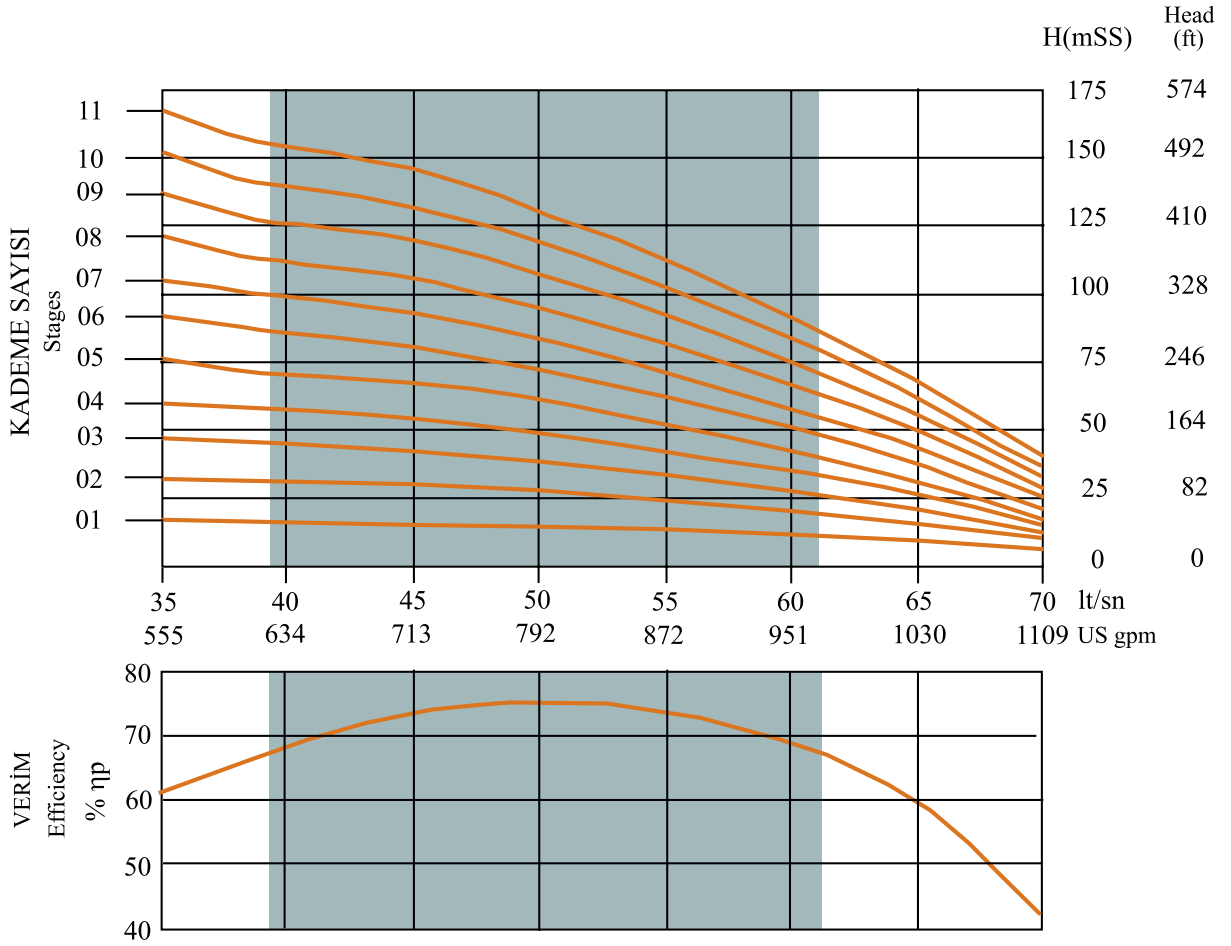
Pompa Tipi PumpType	Güç Power	Güç Power	Q m ³ /h	0	126	140	155	170	180	200	230	245	252
	HP	kW	Q lt/sec	0	35	38,8	43	47,2	50	55,5	63,9	68	70
8180 / 01	12,5	9	MMS (m)	29	17	16	15	14	14	13	10	7	6
8180 / 02	25	18,5		53	32	31	30	29	26	23	16	12	9
8180 / 03	40	30		76	47	45	43	41	39	33	23	15	11
8180 / 04	50	37		97	60	57	55	52	49	41	29	18	13
8180 / 05	75	55		123	76	71	68	65	61	51	34	21	15
8180 / 06	75	55		147	92	87	83	77	72	61	41	24	18
8180 / 07	95	70		169	106	100	95	89	84	70	47	30	21
8180 / 08	100	75		193	122	113	108	102	95	81	54	35	25
8180 / 09	125	92		217	138	127	122	115	107	91	61	39	29
8180 / 10	125	92		241	153	141	135	127	119	101	68	43	32
8180 / 11	150	110		265	168	156	149	140	130	111	74	48	35

ÖLÇÜ TABLOSU / DIMENSIONS CHART

Pompa Tipi PumpType	Güç Power	Güç Power	Motor Tipi Motor Type	Ø=D	Q=A	Q=E	Pompa Uzunluğu Pump Length	Pompa Ağırlığı Pump Weight
	HP	kW			mm	mm	LA (mm)	Kg
8180 / 01	12,5	9	6"	5" - 6"	205	207	720	44
8180 / 02	25	18,5					905	60
8180 / 03	40	30	6" 7" 8"				1090	76
8180 / 04	50	37					1275	92
8180 / 05	75	55	8"				1460	108
8180 / 06	75	55					1645	124
8180 / 07	95	70	8" 10"				1830	140
8180 / 08	100	75					2015	156
8180 / 09	125	92	10"				2200	172
8180 / 10	125	92					2385	188
8180 / 11	150	110	2570				204	

ÜRÜN ÖZELLİKLERİ			PRODUCT SPECIFICATIONS		
Ara Çanak	Pik Döküm	GG20	Intermediate Bowl	Stainless Steel	GG20
Fan	Pik Döküm	GG20	Impeller	Stainless Steel	GG20
Pompa Mili	Paslanmaz Çelik	AISI 420	Pump Shaft	Stainless Steel	AISI 420
Kaplin	Paslanmaz Çelik	AISI 420	Coupling	Stainless Steel	AISI 420
Filtre & Kablo Kanalı	Paslanmaz Çelik	AISI 420	Filter & Cable Guard	Stainless Steel	AISI 420
Klepe	Paslanmaz Çelik	AISI 420	Valve Cap	Stainless Steel	AISI 420





PERFORMANS TABLOSU / PERFORMANCE CHART

Pompa Tipi PumpType	Güç Power	Güç Power	Q m ³ /h Q lt/sec	0	144	160	170	180	200	210	220	230	245	260	270	288	
	HP	kW		0	40	44,4	47,2	50,0	55,5	58,3	61,0	63,8	68	72,2	75	80	
8220 / 01	17,5	13	MMS (m)	25	16	16	15	15	14	13	12	12	10	8	6	4	
8220 / 02	30	22		50	33	32	32	31	30	29	23	23	25	21	16	12	5
8220 / 03	50	37		72	47	46	46	45	43	42	34	34	38	32	25	19	8
8220 / 04	60	45		95	62	61	60	59	56	54	45	45	48	41	32	24	12
8220 / 05	75	55		119	76	76	75	74	71	68	56	56	61	51	41	34	17
8220 / 06	100	75		145	93	93	92	91	88	85	67	67	75	63	50	43	24
8220 / 07	110	81		167	107	106	105	104	100	96	78	78	85	71	57	49	30
8220 / 08	125	92		189	123	122	122	121	114	111	89	89	100	85	67	57	35
8220 / 09	150	110		212	138	138	137	137	128	125	100	100	112	95	76	64	38
8220 / 10	150	110		236	153	153	152	152	143	139	111	111	125	106	84	71	40

ÖLÇÜ TABLOSU / DIMENSIONS CHART

Pompa Tipi PumpType	Güç Power	Güç Power	Motor Tipi Motor Type	Ø=D	Q=A	Q=E	Pompa Uzunluğu Pump Length LA (mm)	Pompa Ağırlığı Pump Weight Kg
	HP	kW			mm	mm		
8220 / 01	17,5	13	6"	5" - 6"	205	207	720	46
8220 / 02	30	22	6" 7" 8"				905	61
8220 / 03	50	37					1090	76
8220 / 04	60	45	7" 8"				1275	91
8220 / 05	75	55	8"				1460	106
8220 / 06	100	75	8" 10"				1645	121
8220 / 07	110	81					1830	136
8220 / 08	125	92					2015	151
8220 / 09	150	110	10"				2200	166
8220 / 10	150	110	10"				2385	181

ÜRÜN ÖZELLİKLERİ			PRODUCT SPECIFICATIONS		
Ara Çanak	Pik Döküm	GG20	Intermediate Bowl	Stainless Steel	GG20
Fan	Pik Döküm	GG20	Impeller	Stainless Steel	GG20
Pompa Mili	Paslanmaz Çelik	AISI 420	Pump Shaft	Stainless Steel	AISI 420
Kaplin	Paslanmaz Çelik	AISI 420	Coupling	Stainless Steel	AISI 420
Filtre & Kablo Kanalı	Paslanmaz Çelik	AISI 420	Filter & Cable Guard	Stainless Steel	AISI 420
Klepe	Paslanmaz Çelik	AISI 420	Valve Cap	Stainless Steel	AISI 420

