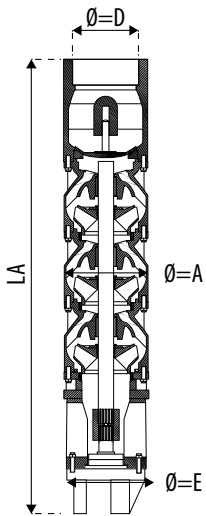
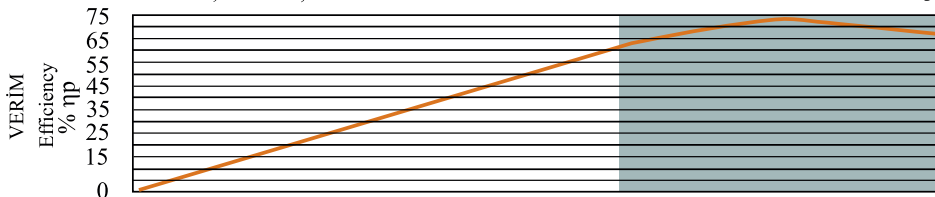
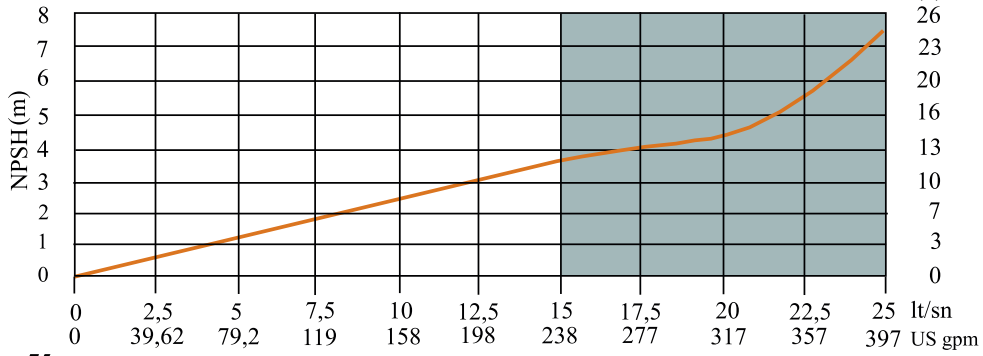
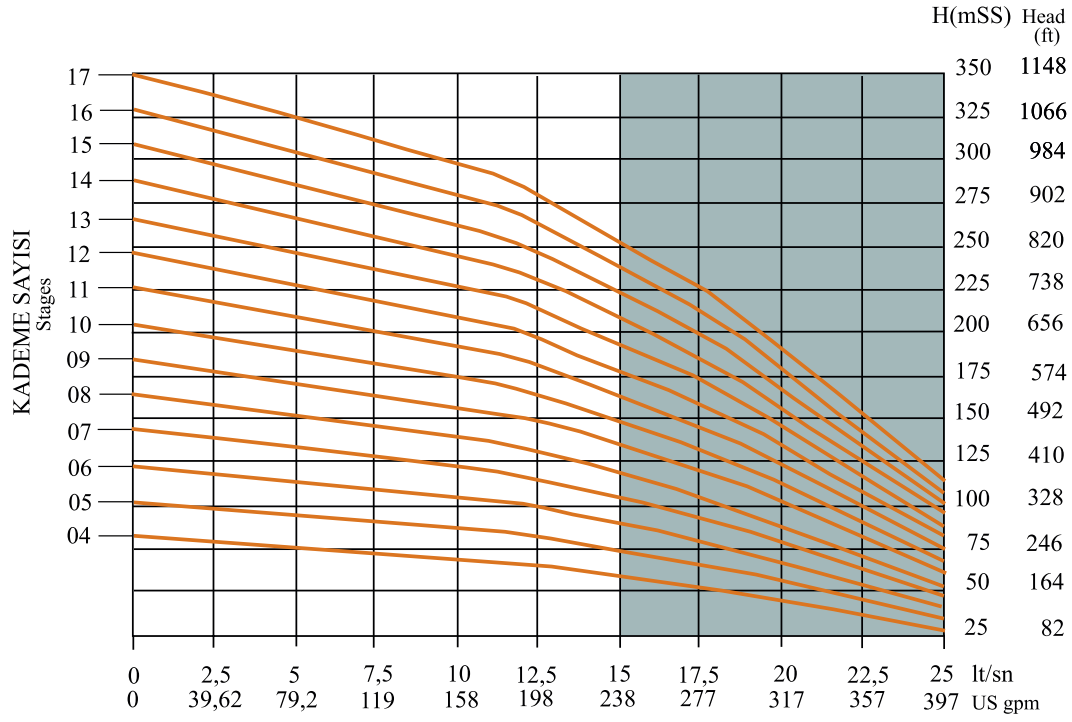


PERFORMANS TABLOSU / PERFORMANCE CHART														
Pompa Tipi PumpType	Güç Power	Güç Power	Q m ³ /h	0,0	42,0	45,0	48,0	54,0	60,0	66,0	72,0	75,0	84,0	90,0
	HP	kW	Q lt/sec	0	11,6	12,5	13,3	15	16,6	18,3	20	20,8	23,3	25
766 / 04	25	18,5	MMS (m)	82	68	66	64	59	56	51	45	42	33	27
766 / 05	30	22		103	85	82	80	74	70	64	57	52	42	34
766 / 06	35	26		123	102	99	96	89	84	76	68	63	50	40
766 / 07	40	30		144	119	115	112	104	98	89	79	73	58	47
766 / 08	50	37		165	136	131	128	118	111	102	90	83	66	54
766 / 09	50	37		185	153	148	144	133	125	114	102	94	75	60
766 / 10	60	45		206	170	164	160	148	139	127	113	104	83	67
766 / 11	60	45		226	187	181	176	163	153	140	124	115	91	74
766 / 12	75	55		247	204	197	192	177	167	153	135	125	99	81
766 / 13	75	55		267	221	214	208	192	181	165	147	136	108	87
766 / 14	75	55		288	238	230	224	207	195	178	158	146	116	94
766 / 15	85	63		309	255	246	240	222	209	191	169	156	124	101
766 / 16	95	70		329	272	263	256	237	223	203	181	167	133	107
766 / 17	95	70		350	289	279	272	251	237	216	192	177	141	114
766 / 18	100	75		371	306	295	288	265	251	229	203	187	149	121
766 / 19	110	81		392	323	311	304	279	265	242	214	197	157	128
766 / 20	110	81		413	340	327	320	293	279	255	225	207	165	135

ÖLÇÜ TABLOSU / DIMENSIONS CHART								
Pompa Tipi PumpType	Güç Power	Güç Power	Motor Tipi Motor Type	Ø=D	Q=A	Q=E	Pompa Uzunluğu Pump Length	Pompa Ağırlığı Pump Weight
	HP	kW			mm	mm		
766 / 04	25	18,5	6"	4"5"	176	178	866	50
766 / 05	30	22	6" 7"				986	57
766 / 06	35	26	6"				1106	64
766 / 07	40	30	6" 7" 8"				1226	71
766 / 08	50	37					1346	78
766 / 09	50	37					1466	85
766 / 10	60	45	7" 8"				1586	92
766 / 11	60	45					1706	99
766 / 12	75	55	8"				1826	106
766 / 13	75	55					1946	113
766 / 14	75	55					2066	120
766 / 15	85	63					2186	127
766 / 16	95	70					2306	134
766 / 17	95	70					2426	141
766 / 18	100	75	8" 10"				2546	148
766 / 19	110	81					2666	155
766 / 20	110	81					2786	162



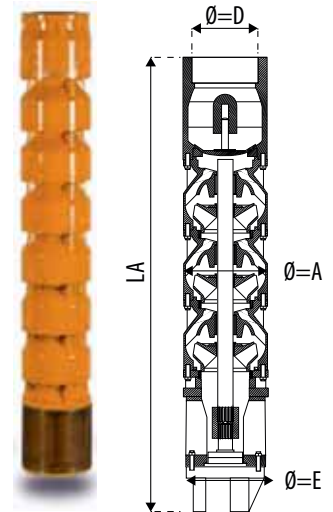
ÜRÜN ÖZELLİKLERİ			PRODUCT SPECIFICATIONS		
Ara Çanak	Pik Döküm	GG20	Intermediate Bowl	Stainless Steel	GG20
Fan	Pik Döküm	GG20	Impeller	Stainless Steel	GG20
Pompa Mili	Paslanmaz Çelik	AISI 420	Pump Shaft	Stainless Steel	AISI 420
Kaplin	Paslanmaz Çelik	AISI 420	Coupling	Stainless Steel	AISI 420
Filtre & Kablo Kanalı	Paslanmaz Çelik	AISI 420	Filter & Cable Guard	Stainless Steel	AISI 420
Klepe	Paslanmaz Çelik	AISI 420	Valve Cap	Stainless Steel	AISI 420

PERFORMANS TABLOSU / PERFORMANCE CHART

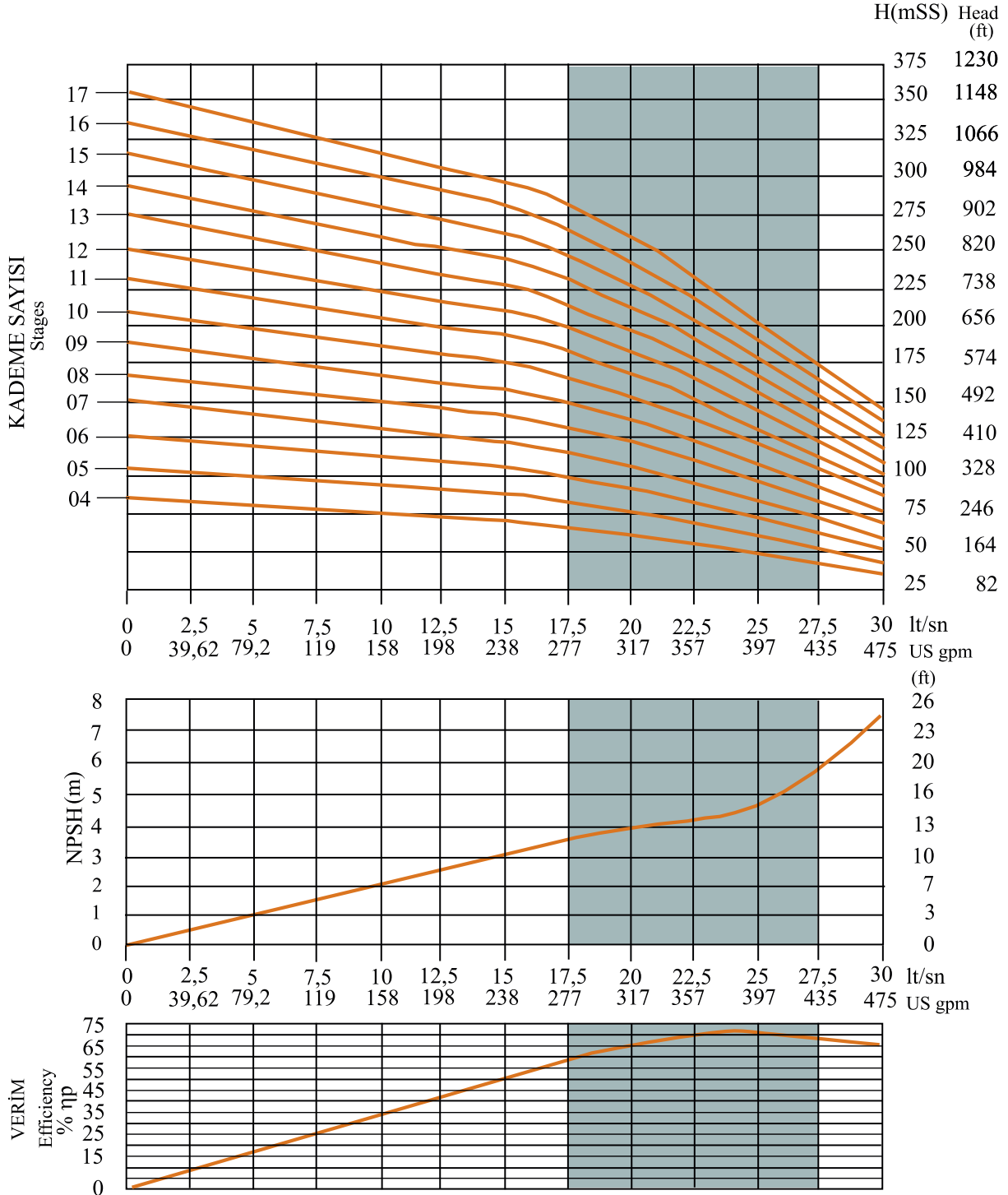
Pompa Tipi PumpType	Güç Power	Güç Power	Q m ³ /h Q lt/sec	0,0	48,0	54,0	60,0	66,0	72,0	75,0	84,0	90,0	96,0	105,0
	HP	kW		0	13,3	15	16,6	18,3	20	20,8	23,3	25	26,6	29,1
770 / 04	25	18,5	MMS (m)	84	71	70	67	64	61	59	53	48	43	36
770 / 05	30	22		105	89	87	84	80	76	74	66	60	54	45
770 / 06	40	30		126	107	104	101	96	91	89	79	72	65	54
770 / 07	50	37		147	125	122	118	112	106	104	92	84	76	63
770 / 08	50	37		168	142	139	134	128	122	118	106	96	86	72
770 / 09	60	45		189	160	157	151	144	137	133	119	108	97	81
770 / 10	75	55		210	178	174	168	160	152	148	132	120	108	90
770 / 11	75	55		231	196	191	185	176	167	163	145	132	119	99
770 / 12	75	55		252	214	209	202	192	182	178	158	144	130	108
770 / 13	85	63		273	231	226	218	208	198	192	172	156	140	117
770 / 14	85	63		294	249	244	235	224	213	207	185	168	151	126
770 / 15	95	70		315	267	261	252	240	228	222	198	180	162	135
770 / 16	100	75		336	285	278	269	256	243	237	211	192	173	144
770 / 17	110	81		357	303	296	286	272	258	252	224	204	184	153
770 / 18	110	81		378	321	314	305	288	271	269	235	216	197	162

ÖLÇÜ TABLOSU / DIMENSIONS CHART

Pompa Tipi PumpType	Güç Power	Güç Power	Motor Tipi Motor Type	Ø=D	Q=A	Q=E	Pompa Uzunluğu Pump Length	Pompa Ağırlığı Pump Weight
	HP	kW			mm	mm		
770 / 04	25	18,5	6"	4" 5"	176	178	866	50
770 / 05	30	22	6" 7"				986	57
770 / 06	40	30	6" 7"				1106	64
770 / 07	50	37	6" 7" 8"				1226	71
770 / 08	50	37	6" 7" 8"				1346	78
770 / 09	60	45	7" 8"				1466	85
770 / 10	75	55	8"				1586	92
770 / 11	75	55					1706	99
770 / 12	75	55					1826	106
770 / 13	85	63					1946	113
770 / 14	85	63					2066	120
770 / 15	95	70					2186	127
770 / 16	100	75	8" 10"				2306	134
770 / 17	110	81					2426	141
770 / 18	110	81					2546	148



ÜRÜN ÖZELLİKLERİ			PRODUCT SPECIFICATIONS		
Ara Çanak	Pik Döküm	GG20	Intermediate Bowl	Stainless Steel	GG20
Fan	Pik Döküm	GG20	Impeller	Stainless Steel	GG20
Pompa Mili	Paslanmaz Çelik	AISI 420	Pump Shaft	Stainless Steel	AISI 420
Kaplin	Paslanmaz Çelik	AISI 420	Coupling	Stainless Steel	AISI 420
Filtre & Kablo Kanalı	Paslanmaz Çelik	AISI 420	Filter & Cable Guard	Stainless Steel	AISI 420
Klepe	Paslanmaz Çelik	AISI 420	Valve Cap	Stainless Steel	AISI 420

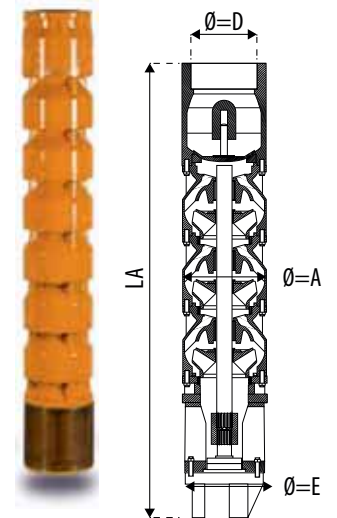


PERFORMANS TABLOSU / PERFORMANCE CHART

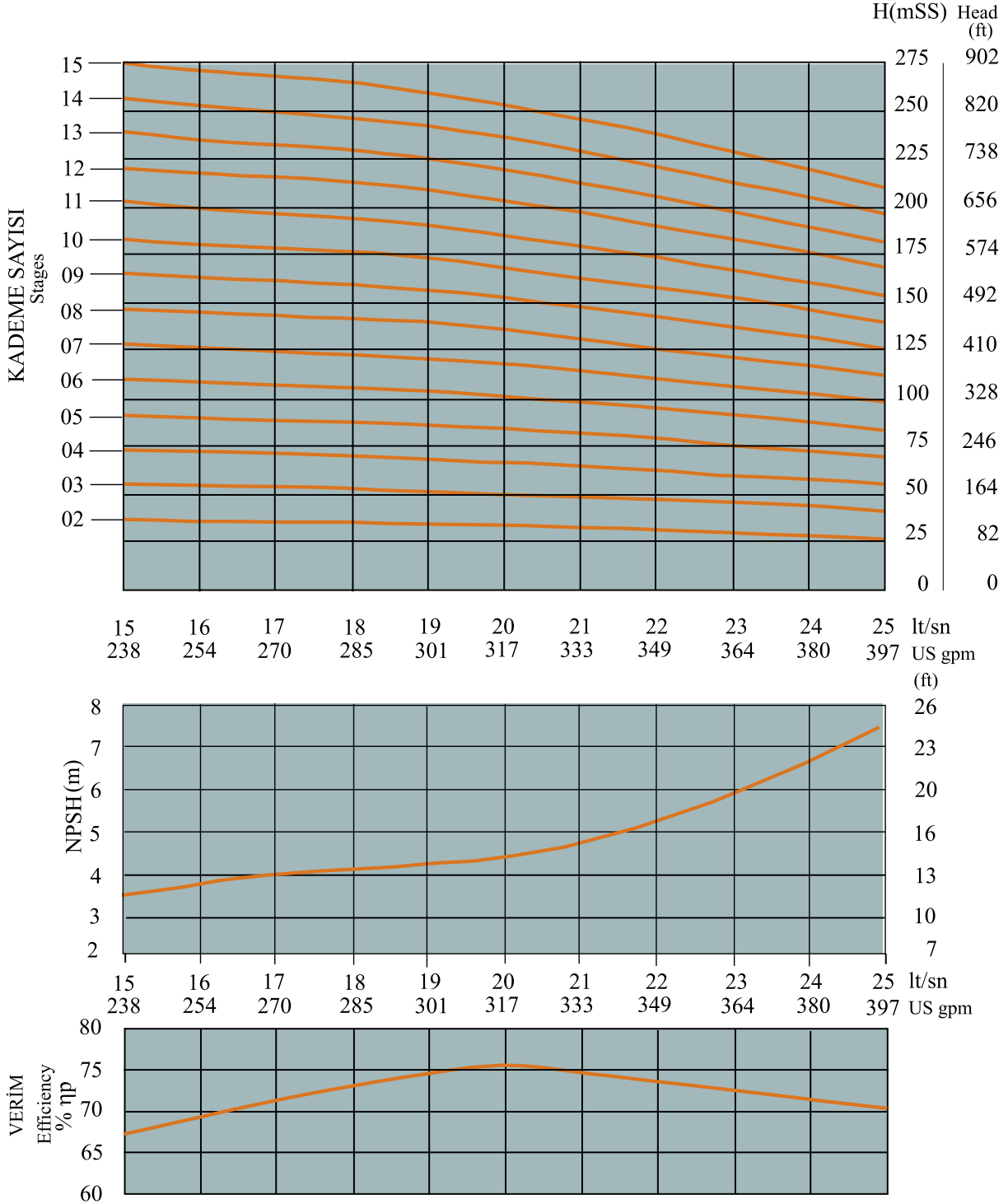
Pompa Tipi PumpType	Güç Power	Güç Power	Q m ³ /h	54,0	57,6	61,2	64,8	68,4	72,0	75,6	79,2	82,8	86,4	90,0
	HP	kW	Q lt/sec	15	16	17	18	19	20	21	22	23	24	25
772 / 02	15	11	MMS (m)	37	36	36	35	35	34	33	32	30	29	28
772 / 03	25	18,5		55	54	54	53	52	51	49	48	46	44	42
772 / 04	30	22		73	72	71	70	69	67	65	63	61	59	56
772 / 05	35	26		91	90	89	88	87	84	82	79	76	73	70
772 / 06	50	37		110	108	107	106	104	101	98	95	91	88	84
772 / 07	50	37		128	126	124	122	120	117	114	111	106	103	98
772 / 08	60	45		147	144	142	141	139	135	131	127	121	117	112
772 / 09	75	55		165	162	160	159	156	152	147	142	137	132	126
772 / 10	75	55		183	180	178	177	174	168	163	158	152	147	140
772 / 11	85	63		202	198	196	194	191	185	180	174	167	161	154
772 / 12	85	63		220	216	214	212	208	202	196	190	182	176	168
772 / 13	95	70		238	234	232	230	225	219	212	206	197	191	182
772 / 14	100	75		256	252	250	247	242	236	229	222	212	205	196
772 / 15	110	81		275	270	268	265	260	253	245	238	228	220	210

ÖLÇÜ TABLOSU / DIMENSIONS CHART

Pompa Tipi PumpType	Güç Power	Güç Power	Motor Tipi Motor Type	Ø=D	Q=A	Q=E	Pompa Uzunluğu Pump Length	Pompa Ağırlığı Pump Weight
	HP	kW			mm	mm	LA (mm)	Kg
772 / 02	15	11	6"	4" 5"	176	178	624	36
772 / 03	25	18,5					744	43
772 / 04	30	22	6" 7" 8"				864	50
772 / 05	35	26	6"				984	57
772 / 06	50	37	6" 7" 8"				1104	64
772 / 07	50	37					1224	71
772 / 08	60	45	7" 8"				1344	78
772 / 09	75	55	8"				1464	85
772 / 10	75	55					1584	92
772 / 11	85	63					1704	99
772 / 12	85	63					1824	106
772 / 13	95	70					1944	113
772 / 14	100	75	8" 10"				2064	120
772 / 15	110	81					2184	127



ÜRÜN ÖZELLİKLERİ			PRODUCT SPECIFICATIONS		
Ara Çanak	Pik Döküm	GG20	Intermediate Bowl	Stainless Steel	GG20
Fan	Pik Döküm	GG20	Impeller	Stainless Steel	GG20
Pompa Mili	Paslanmaz Çelik	AISI 420	Pump Shaft	Stainless Steel	AISI 420
Kaplin	Paslanmaz Çelik	AISI 420	Coupling	Stainless Steel	AISI 420
Filtre & Kablo Kanalı	Paslanmaz Çelik	AISI 420	Filter & Cable Guard	Stainless Steel	AISI 420
Klepe	Paslanmaz Çelik	AISI 420	Valve Cap	Stainless Steel	AISI 420

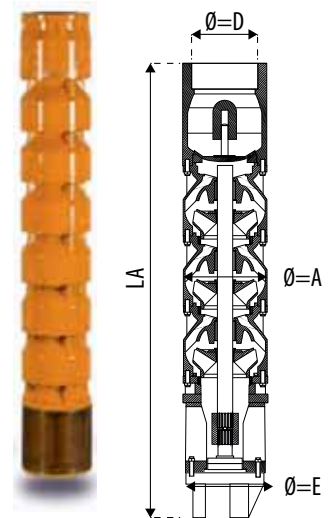


PERFORMANS TABLOSU / PERFORMANCE CHART

Pompa Tipi PumpType	Güç Power	Güç Power	Q m ³ /h	0	90	100	111	122	133	144	155	165	176	198
	HP	kW	Q lt/sec	0	25	28	31	34	37	40	43	46	49	55
7145 / 01	12,5	9	MMS (m)	21	17	16	15	15	14	13	12	11	10	7
7145 / 02	25	18,5		42	32	31	30	29	28	27	25	23	21	15
7145 / 03	35	26		63	48	47	45	44	42	40	37	34	31	22
7145 / 04	50	37		84	64	62	60	58	56	53	49	46	41	29
7145 / 05	60	45		105	79	78	75	73	70	66	61	57	51	36
7145 / 06	70	51		126	95	93	90	87	84	80	74	68	62	44
7145 / 07	80	59		147	111	109	105	102	98	93	86	80	72	51
7145 / 08	90	66		168	127	124	120	116	112	106	98	91	82	58
7145 / 09	100	75		189	143	140	135	131	126	119	110	102	92	65
7145 / 10	110	81		210	159	155	150	145	140	133	123	114	103	73
7145 / 11	125	92		231	175	171	165	160	154	146	135	125	113	80
7145 / 12	150	110		252	191	186	180	174	168	159	147	137	123	87
7145 / 13	150	110		273	206	202	195	189	182	172	159	148	133	94

ÖLÇÜ TABLOSU / DIMENSIONS CHART

Pompa Tipi PumpType	Güç Power	Güç Power	Motor Tipi Motor Type	Ø=D	Q=A	Q=E	Pompa Uzunluğu Pump Length	Pompa Ağırlığı Pump Weight
	HP	kW			mm	mm	LA (mm)	Kg
7145 / 01	12,5	9	6"	5"	176	178	586	38
7145 / 02	25	18,5					759	51
7145 / 03	35	26					931	64
7145 / 04	50	37	6" 7" 8"				1103	77
7145 / 05	60	45	7" 8"				1275	90
7145 / 06	70	51					1447	103
7145 / 07	80	59					1619	116
7145 / 08	90	66	1791				129	
7145 / 09	100	75	1963				142	
7145 / 10	110	81	8" 10"				2135	155
7145 / 11	125	92	2307				168	
7145 / 12	150	110	10"				2479	181
7145 / 13	150	110	2651				194	



ÜRÜN ÖZELLİKLERİ			PRODUCT SPECIFICATIONS		
Ara Çanak	Pik Döküm	GG20	Intermediate Bowl	Stainless Steel	GG20
Fan	Pik Döküm	GG20	Impeller	Stainless Steel	GG20
Pompa Mili	Paslanmaz Çelik	AISI 420	Pump Shaft	Stainless Steel	AISI 420
Kaplin	Paslanmaz Çelik	AISI 420	Coupling	Stainless Steel	AISI 420
Filtre & Kablo Kanalı	Paslanmaz Çelik	AISI 420	Filter & Cable Guard	Stainless Steel	AISI 420
Klepe	Paslanmaz Çelik	AISI 420	Valve Cap	Stainless Steel	AISI 420

