

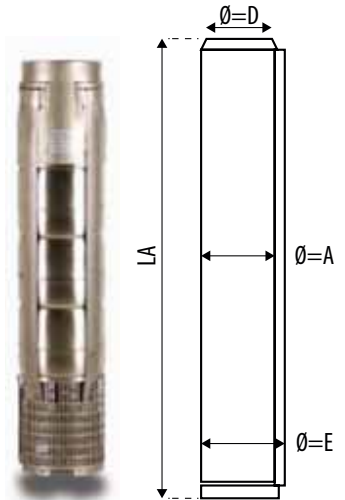
PERFORMANS TABLOSU / PERFORMANCE CHART

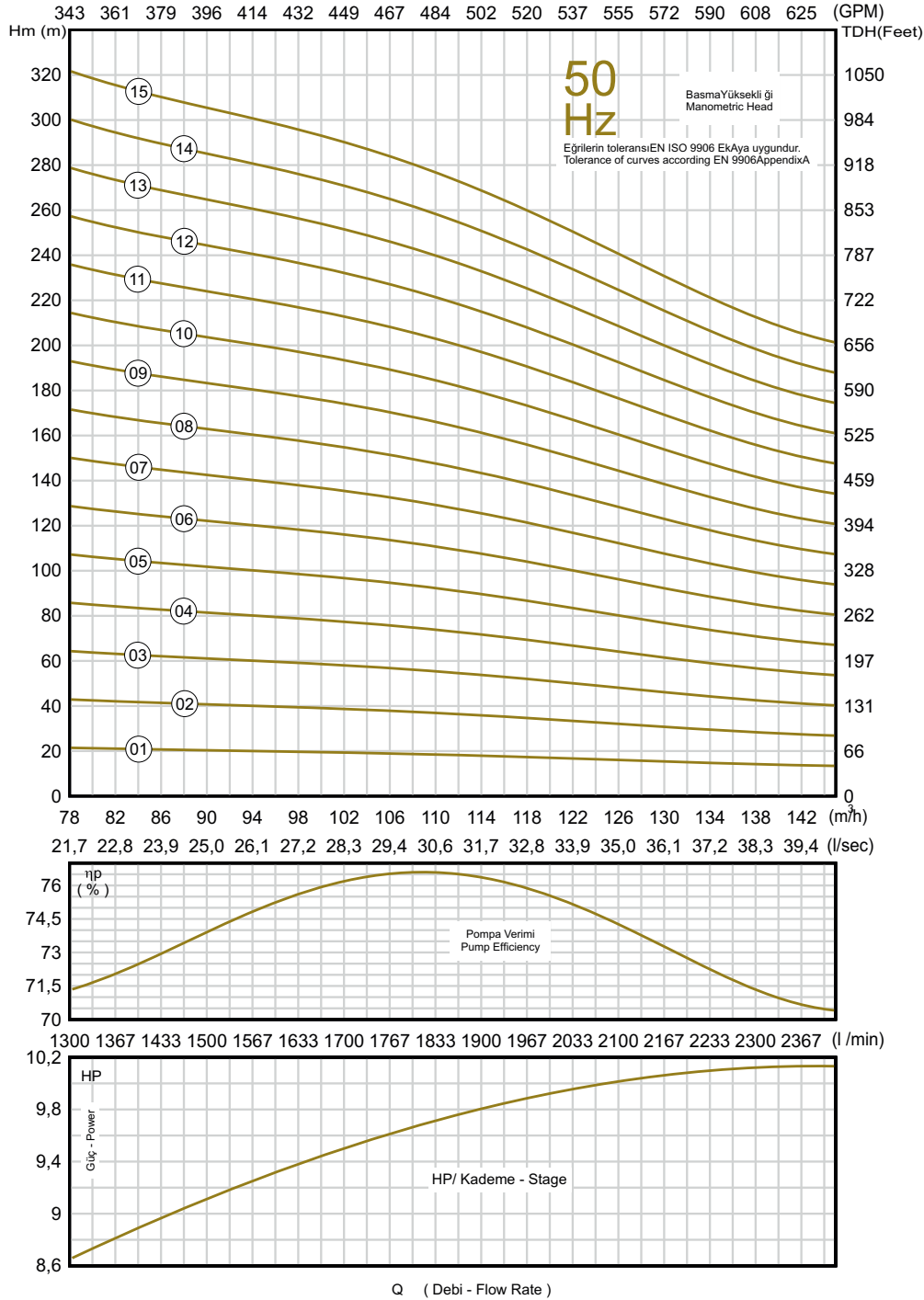
Pompa Tipi PumpType	Güç Power	Güç Power	m ³ /h lt/s	0,0	78,0	84,0	90,0	100,0	108,0	115,0	125,0	135,0	145,0
	HP	kW		0,00	21,67	23,33	25,00	27,78	30,00	31,94	34,72	37,50	40,28
10110 / 01	10	7,5	MMS (m)	25	22	21	20	20	19	18	16	15	13
10110 / 02	20	15		50	43	42	41	39	37	36	32	29	27
10110 / 03	30	22		74	65	62	61	59	56	53	49	44	40
10110 / 04	40	30		99	86	83	81	79	74	71	65	58	54
10110 / 05	50	37		124	108	104	102	99	93	89	81	73	67
10110 / 06	60	45		149	129	125	122	118	111	107	97	88	80
10110 / 07	70	51		173	151	145	142	138	130	125	114	102	94
10110 / 08	80	59		198	172	166	163	158	148	142	130	117	107
10110 / 09	90	66		223	194	187	183	178	167	160	146	131	121
10110 / 10	100	75		248	215	208	203	197	185	178	162	146	134
10110 / 11	110	81		273	237	228	224	217	204	196	179	161	148
10110 / 12	125	92		297	258	249	244	237	222	213	195	175	161
10110 / 13	150	110		322	280	270	265	257	241	231	211	190	174
10110 / 14	150	110		347	301	291	285	276	259	249	227	204	188
10110 / 15	150	110		372	323	311	305	296	278	267	244	219	201

ÖLÇÜ TABLOSU / DIMENSIONS CHART

Pompa Tipi PumpType	Güç Power	Güç Power	Motor Tipi Motor Type	Ø=D	Q=A	Q=E	Pompa Uzunluğu Pump Length LA (mm)	Pompa Ağırlığı Pump Weight Kg
	HP	kW			mm	mm		
10110 / 01	10	7,5	6"	6"	232	234	608	30
10110 / 02	20	15					764	36
10110 / 03	30	22	6" 7" 8"				920	42
10110 / 04	40	30					1076	50
10110 / 05	50	37	7" 8"				1232	55
10110 / 06	60	45					1388	62
10110 / 07	70	51					1544	68
10110 / 08	80	59	8" 10"				1700	74
10110 / 09	90	66					1856	80
10110 / 10	100	75	10"				2012	86
10110 / 11	110	81					2168	92
10110 / 12	125	92					2324	98
10110 / 13	150	110	10"				2480	104
10110 / 14	150	110					2636	110
10110 / 15	150	110					2792	116

ÜRÜN ÖZELLİKLERİ			PRODUCT SPECIFICATIONS		
Pompa Mili	Paslanmaz Çelik	AISI 431	Pump Shaft	Stainless Steel	AISI 431
Çıkış Gövdesi	Paslanmaz Çelik	AISI 304	Delivery Body	Stainless Steel	AISI 304
Emiş Gövdesi	Paslanmaz Çelik	AISI 304	Suction Body	Stainless Steel	AISI 304
Ara Çanak	Paslanmaz Çelik	AISI 304	Intermediate Bowl	Stainless Steel	AISI 304
Fan	Paslanmaz Çelik	AISI 304	Impeller	Stainless Steel	AISI 304
Kaplin	Paslanmaz Çelik	AISI 431	Coupling	Stainless Steel	AISI 431
Fan Tespit Burcu	Paslanmaz Çelik	AISI 304	Impeller Lock Collet	Stainless Steel	AISI 304
Filtre & Kablo Kanalı	Paslanmaz Çelik	AISI 304	Filter & Cable Guard	Stainless Steel	AISI 304
Klepe	Paslanmaz Çelik	AISI 304	Valve Cap	Stainless Steel	AISI 304
Aşınma Halkası			Wear Ring		
Fan	Paslanmaz Çelik	AISI 304	Impeller	Stainless Steel	AISI 304
Difüzör	Kauçuk	NBR	Diffuser	Rubber	NBR





Hidrolik çalışma karakteristikleri 15°C deki suyla ve 1 bar atmosferik basınç altında alınmıştır.
The hydraulic working characteristics have been calculated with water at 15°C at the atmospheric pressure of 1 bar.

Performans eğrileri kinematik viskozite $\nu=1 \text{ mm}^2/\text{s}$ ve yoğunluk $\rho=1000 \text{ kg/m}^3$ temel alınarak oluşturulmuştur.
Performance curves are based on the kinematic viscosity $\nu=1 \text{ mm}^2/\text{s}$ and density $\rho=1000 \text{ kg/m}^3$

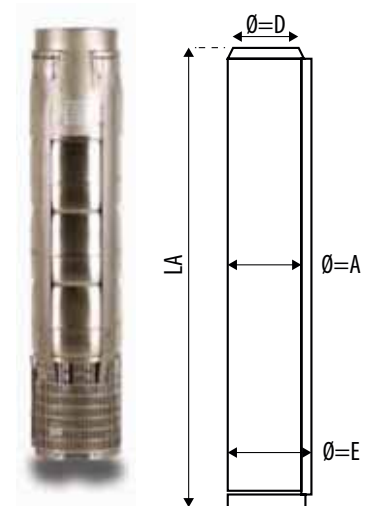
PERFORMANS TABLOSU / PERFORMANCE CHART

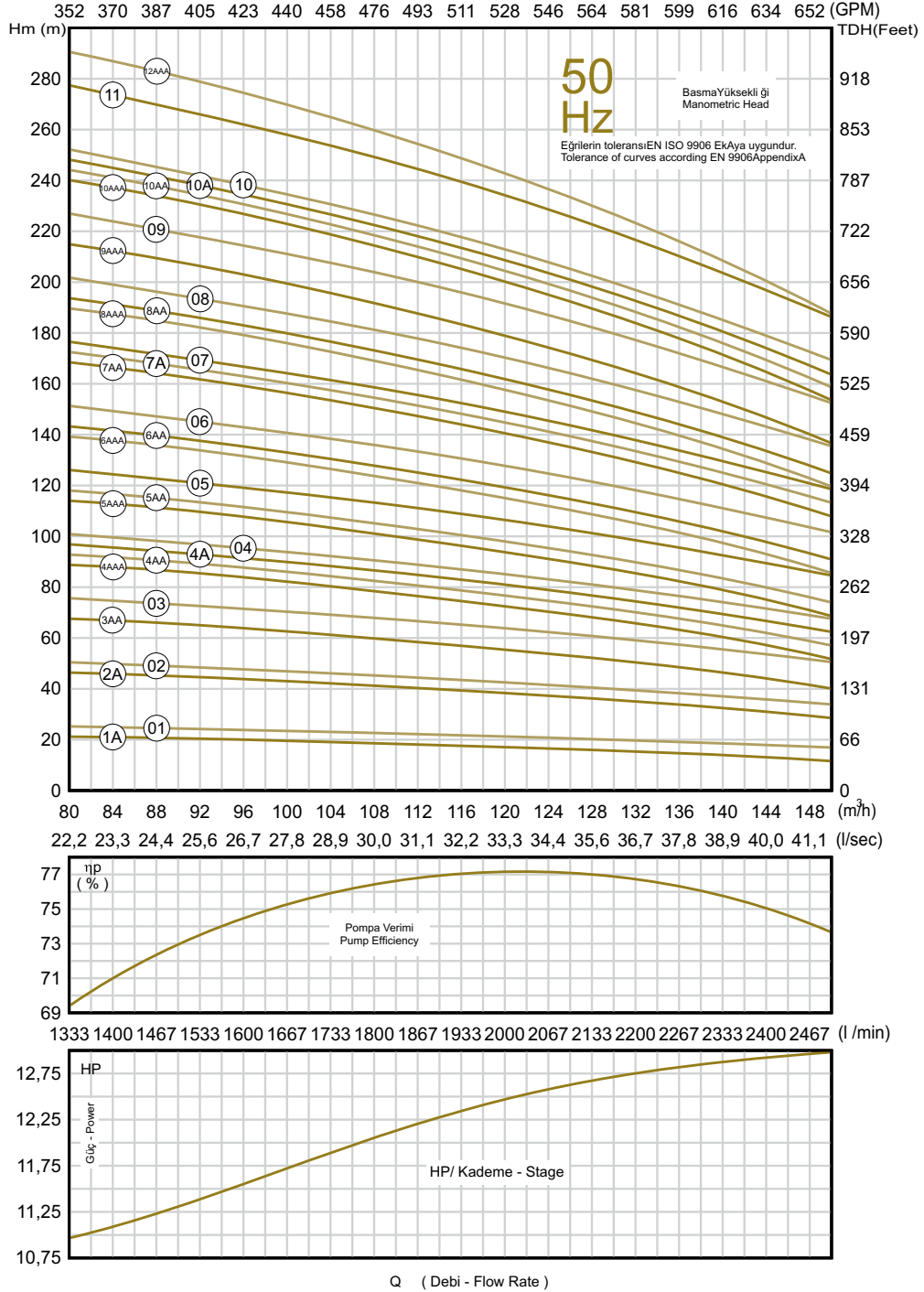
Pompa Tipi PumpType	Güç Power	Güç Power	m ³ /h	0,0	80,0	90,0	100,0	110,0	120,0	125,0	130,0	135,0	140,0	145,0	150,0
	HP	kW		It/s	0,00	22,22	25,00	27,78	30,56	33,33	34,72	36,11	37,50	38,89	40,28
10125 / 01A	10	7,5	MMS (m)	25	21	20	20	18	17	16	16	15	14	13	11
10125 / 01	15	11		29	25	24	23	22	21	21	20	19	18	18	17
10125 / 02A	20	15		53	46	45	43	41	38	37	36	34	32	31	28
10125 / 02	30	22		57	50	49	47	45	43	41	40	38	37	36	34
10125 / 03AA	35	26		78	68	65	63	59	56	53	51	48	46	45	40
10125 / 03	40	30		86	76	73	70	67	64	62	60	58	55	53	50
10125 / 04AAA	50	37		103	89	85	83	78	73	69	67	63	60	58	51
10125 / 04AA	50	37		107	93	v	86	82	77	74	71	68	65	62	56
10125 / 04A	50	37		111	97	94	90	86	81	78	76	72	69	67	62
10125 / 04	60	45		115	101	98	94	90	85	83	80	77	74	71	67
10125 / 05AAA	60	45		132	114	110	106	100	94	90	87	82	79	76	68
10125 / 05AA	60	45		136	118	114	110	104	98	94	91	87	83	80	73
10125 / 05	70	51		144	126	122	117	112	107	103	100	96	92	89	84
10125 / 06AAA	70	51		160	139	134	129	123	115	111	107	101	97	94	85
10125 / 06AA	75	55		164	143	138	133	127	120	115	111	106	102	98	90
10125 / 06	80	59		172	151	146	140	134	128	124	120	115	111	107	101
10125 / 07AA	90	66		193	169	163	156	149	141	136	131	125	120	116	107
10125 / 07A	90	66		197	173	167	160	153	145	140	136	130	125	120	113
10125 / 07	100	75		201	176	171	164	157	150	144	140	134	129	125	118
10125 / 08AAA	100	75		218	190	183	176	167	158	152	147	140	134	129	119
10125 / 08AA	100	75		222	194	187	180	171	162	156	151	144	139	134	124
10125 / 08	110	81		230	202	195	187	179	171	165	160	153	148	143	135
10125 / 09AAA	110	81		247	215	208	200	190	180	173	167	159	153	147	136
10125 / 09	125	92		258	227	220	211	202	192	186	180	173	166	160	152
10125 / 10AAA	125	92	275	240	232	223	212	201	193	187	178	171	165	153	
10125 / 10AA	125	92	279	244	236	227	216	205	198	191	183	176	169	158	
10125 / 10A	150	110	283	248	240	230	220	209	202	196	187	180	174	163	
10125 / 10	150	110	287	252	244	234	224	214	206	200	192	185	178	169	
10125 / 11	150	110	316	277	269	257	247	235	227	220	211	203	196	186	
10125 / 12AAA	150	110	333	291	281	270	257	244	234	227	216	208	201	187	

ÖLÇÜ TABLOSU / DIMENSIONS CHART

Pompa Tipi PumpType	Güç Power	Güç Power	Motor Tipi Motor Type	Ø=D	Q=A	Q=E	Pompa Uzunluğu Pump Length	Pompa Ağırlığı Pump Weight
	HP	kW			mm	mm		
10125 / 01A	10	7,5	6"	6"	232	234	608	30
10125 / 01	15	11	5"				608	30
10125 / 02A	20	15					764	36
10125 / 02	30	22	6" 7" 8"				764	36
10125 / 03AA	35	26	6"				920	42
10125 / 03	40	30	6" 7" 8"				920	42
10125 / 04AAA	50	37					1076	50
10125 / 04AA	50	37					1076	50
10125 / 04A	50	37					1076	50
10125 / 04	60	45	7" 8"				1076	50
10125 / 05AAA	60	45					1232	55
10125 / 05AA	60	45					1232	55
10125 / 05	70	51					1232	55
10125 / 06AAA	70	51	8"				1388	62
10125 / 06AA	75	55					1388	62
10125 / 06	80	59	7" 8"				1388	62
10125 / 07AA	90	66					1544	68
10125 / 07A	90	66	1544				68	
10125 / 07	100	75	8" 10"				1544	68
10125 / 08AAA	100	75					1700	74
10125 / 08AA	100	75					1700	74
10125 / 08	110	81					1700	74
10125 / 09AAA	110	81					1856	80
10125 / 09	125	92					1856	80
10125 / 10AAA	125	92	10"				2012	86
10125 / 10AA	125	92					2012	86
10125 / 10A	150	110					2012	86
10125 / 10	150	110					2012	86
10125 / 11	150	110	2168	92				
10125 / 12AAA	150	110	2324	99				

ÜRÜN ÖZELLİKLERİ			PRODUCT SPECIFICATIONS		
Pompa Mili	Paslanmaz Çelik	AISI 431	Pump Shaft	Stainless Steel	AISI 431
Çıkış Gövdesi	Paslanmaz Çelik	AISI 304	Delivery Body	Stainless Steel	AISI 304
Emiş Gövdesi	Paslanmaz Çelik	AISI 304	Suction Body	Stainless Steel	AISI 304
Ara Çanak	Paslanmaz Çelik	AISI 304	Intermediate Bowl	Stainless Steel	AISI 304
Fan	Paslanmaz Çelik	AISI 304	Impeller	Stainless Steel	AISI 304
Kaplin	Paslanmaz Çelik	AISI 431	Coupling	Stainless Steel	AISI 431
Fan Tespit Burcu	Paslanmaz Çelik	AISI 304	Impeller Lock Collet	Stainless Steel	AISI 304
Filtre & Kablo Kanalı	Paslanmaz Çelik	AISI 304	Filter & Cable Guard	Stainless Steel	AISI 304
Klepe	Paslanmaz Çelik	AISI 304	Valve Cap	Stainless Steel	AISI 304
Aşınma Halkası			Wear Ring		
Fan	Paslanmaz Çelik	AISI 304	Impeller	Stainless Steel	AISI 304
Difüzör	Kauçuk	NBR	Diffuser	Rubber	NBR





Hidrolik çalışma karakteristikleri 15°C deki suyla ve 1 bar atmosferik basınç altında alınmıştır.
The hydraulic working characteristics have been calculated with water at 15°C at the atmospheric pressure of 1 bar.

Performans eğrileri kinematik viskozite $\nu=1 \text{ mm}^2/\text{s}$ ve yoğunluk $\rho=1000 \text{ kg/m}^3$ temel alınarak oluşturulmuştur.
Performance curves are based on the kinematic viscosity $\nu=1 \text{ mm}^2/\text{s}$ and density $\rho=1000 \text{ kg/m}^3$

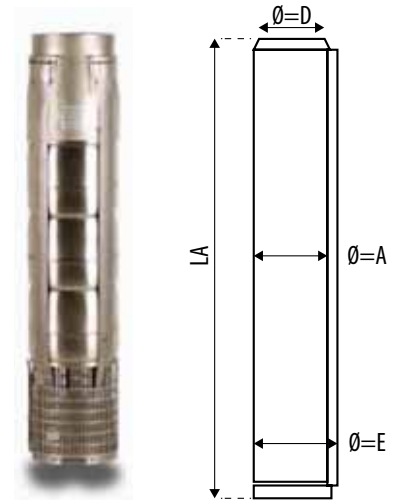
PERFORMANS TABLOSU / PERFORMANCE CHART

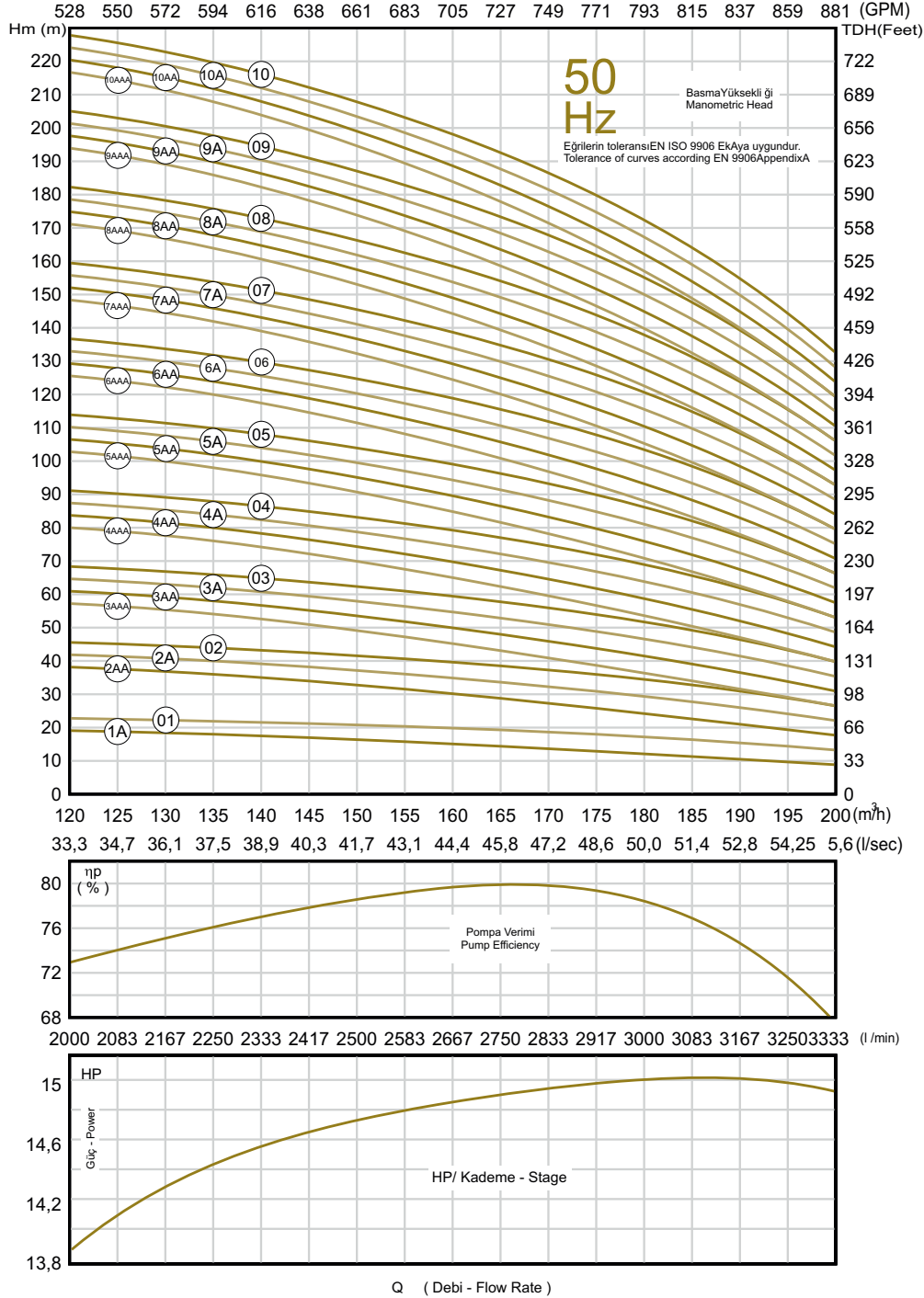
Pompa Tipi PumpType	Güç Power	Güç Power	m ³ /h	0,0	120,0	130,0	140,0	150,0	155,0	160,0	155,0	160,0	170,0	180,0	200,0
	HP	kW		It/s	0,00	33,33	36,11	38,89	41,67	43,06	44,44	45,83	47,22	50,00	52,78
10165 / 01A	12,5	9,2	MMS (m)	28	19	18	18	16	15	15	15	14	12	10	9
10165 / 01	15	11		32	23	22	22	21	20	20	19	19	17	16	13
10165 / 02AA	25	18,5		56	38	37	35	33	31	30	29	27	24	21	18
10165 / 02A	30	22		60	42	41	39	37	36	35	34	32	29	26	22
10165 / 02	30	22		63	46	45	43	42	41	40	38	37	34	31	26
10165 / 03AAA	40	30		84	57	55	53	49	46	45	44	41	37	31	27
10165 / 03AA	40	30		87	61	59	57	54	51	50	48	46	42	36	31
10165 / 03A	50	37		91	65	63	61	58	56	55	53	51	46	42	35
10165 / 3	50	37		95	68	67	65	62	61	60	58	56	51	47	40
10165 / 04AAA	60	45		115	80	78	74	70	67	65	63	60	54	47	40
10165 / 04AA	60	45		119	84	81	78	74	72	70	68	65	59	52	44
10165 / 04A	60	45		123	87	85	82	79	77	75	72	69	64	57	48
10165 / 04	60	45		126	91	89	86	83	82	79	77	74	68	63	53
10165 / 05AAA	70	51		147	103	100	96	91	87	85	82	78	71	62	53
10165 / 05AA	70	51		151	107	104	100	95	92	90	87	83	76	68	57
10165 / 05A	75	55		154	110	107	104	100	97	94	91	88	81	73	62
10165 / 05	75	55		158	114	111	108	104	102	99	96	93	86	78	66
10165 / 06AAA	80	59		179	126	122	118	112	108	105	101	97	88	78	66
10165 / 06AA	90	66		182	129	126	122	116	113	109	106	102	93	83	71
10165 / 06A	90	66		186	133	130	126	120	118	114	111	107	98	89	75
10165 / 06	90	66		190	137	134	129	125	123	119	115	111	103	94	79
10165 / 07AAA	100	75		210	148	144	139	132	128	124	121	115	105	94	79
10165 / 07AA	100	75		214	152	148	143	137	133	129	125	120	110	99	84
10165 / 07A	110	81		218	156	152	147	141	138	134	130	125	115	104	88
10165 / 07	110	81		221	160	156	151	145	143	139	135	130	120	109	82
10165 / 08AAA	125	92		242	171	167	161	153	149	144	140	134	122	109	93
10165 / 08AA	125	92		245	175	170	165	157	154	149	144	139	127	115	97
10165 / 08A	125	92		249	179	174	169	162	159	154	149	144	132	120	101
10165 / 08	125	92		253	182	178	173	166	164	159	154	149	137	125	106
10165 / 09AAA	125	92		273	194	189	182	174	169	164	159	153	139	125	106
10165 / 09AA	150	110		277	198	193	186	178	174	169	164	157	144	130	110
10165 / 09A	150	110		281	201	196	190	183	179	174	168	162	149	135	114
10165 / 09	150	110		284	205	200	194	187	184	179	173	167	154	141	119
10165 / 10AAA	150	110		305	217	211	204	195	190	184	178	171	157	140	119
10165 / 10AA	150	110		309	221	215	208	199	194	189	183	176	161	146	123
10165 / 10A	150	110		312	224	219	212	203	199	194	188	181	166	151	128
10165 / 10	150	110		316	228	223	216	208	204	199	192	186	171	156	132

ÖLÇÜ TABLOSU / DIMENSIONS CHART

Pompa Tipi PumpType	Güç Power	Güç Power	Motor Tipi Motor Type	Ø=D	Q=A	Q=E	Pompa Uzunluğu Pump Length	Pompa Ağırlığı Pump Weight
	HP	KW			mm	mm		
10165 / 01A	12,5	9,2	6"	6"	232	234	608	30
10165 / 01	15	11					608	30
10165 / 02AA	25	18,5					764	36
10165 / 02A	30	22	6" 7" 8"				764	37
10165 / 02	30	22					764	37
10165 / 03AAA	40	30					920	43
10165 / 03AA	40	30					920	43
10165 / 03A	50	37					920	43
10165 / 3	50	37					920	43
10165 / 04AAA	60	45	7" 8"				1076	50
10165 / 04AA	60	45					1076	50
10165 / 04A	60	45					1076	50
10165 / 04	60	45					1076	50
10165 / 05AAA	70	51					1232	56
10165 / 05AA	70	51	1232				56	
10165 / 05A	75	55	8"				1232	56
10165 / 05	75	55					1232	56
10165 / 06AAA	80	59	7" 8"				1388	63
10165 / 06AA	90	66					1388	63
10165 / 06A	90	66					1388	63
10165 / 06	90	66					1388	63
10165 / 07AAA	100	75	8" 10"				1544	69
10165 / 07AA	100	75					1544	69
10165 / 07A	110	81					1544	69
10165 / 07	110	81					1544	69
10165 / 08AAA	125	92					1700	76
10165 / 08AA	125	92					1700	76
10165 / 08A	125	92					1700	76
10165 / 08	125	92					1700	76
10165 / 09AAA	125	92	10"				1856	82
10165 / 09AA	150	110		1856	82			
10165 / 09A	150	110		1856	82			
10165 / 09	150	110		1856	82			
10165 / 10AAA	150	110		2012	89			
10165 / 10AA	150	110		2012	89			
10165 / 10A	150	110		2012	89			
10165 / 10	150	110	2012	89				

ÜRÜN ÖZELLİKLERİ			PRODUCT SPECIFICATIONS		
Pompa Mili	Paslanmaz Çelik	AISI 431	Pump Shaft	Stainless Steel	AISI 431
Çıkış Gövdesi	Paslanmaz Çelik	AISI 304	Delivery Body	Stainless Steel	AISI 304
Emiş Gövdesi	Paslanmaz Çelik	AISI 304	Suction Body	Stainless Steel	AISI 304
Ara Çanak	Paslanmaz Çelik	AISI 304	Intermediate Bowl	Stainless Steel	AISI 304
Fan	Paslanmaz Çelik	AISI 304	Impeller	Stainless Steel	AISI 304
Kaplin	Paslanmaz Çelik	AISI 431	Coupling	Stainless Steel	AISI 431
Fan Tespit Burcu	Paslanmaz Çelik	AISI 304	Impeller Lock Collet	Stainless Steel	AISI 304
Filtre & Kablo Kanalı	Paslanmaz Çelik	AISI 304	Filter & Cable Guard	Stainless Steel	AISI 304
Klepe	Paslanmaz Çelik	AISI 304	Valve Cap	Stainless Steel	AISI 304
Aşınma Halkası			Wear Ring		
Fan	Paslanmaz Çelik	AISI 304	Impeller	Stainless Steel	AISI 304
Difüzör	Kauçuk	NBR	Diffuser	Rubber	NBR





Hidrolik çalışma karakteristikleri 15°C deki suyla ve 1 bar atmosferik basınç altında alınmıştır.
The hydraulic working characteristics have been calculated with water at 15°C at the atmospheric pressure of 1 bar.

Performans eğrileri kinematik viskozite $\nu=1 \text{ mm}^2/\text{s}$ ve yoğunluk $\rho=1000 \text{ kg/m}^3$ temel alınarak oluşturulmuştur.
Performance curves are based on the kinematic viscosity $\nu=1 \text{ mm}^2/\text{s}$ and density $\rho=1000 \text{ kg/m}^3$

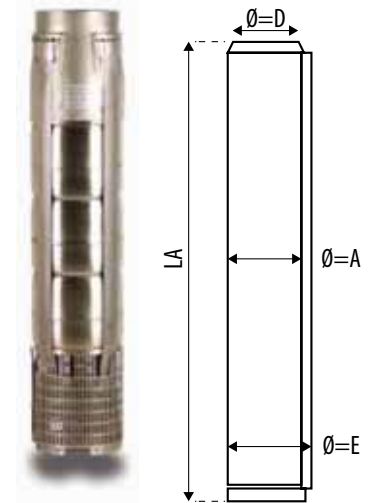
PERFORMANS TABLOSU / PERFORMANCE CHART

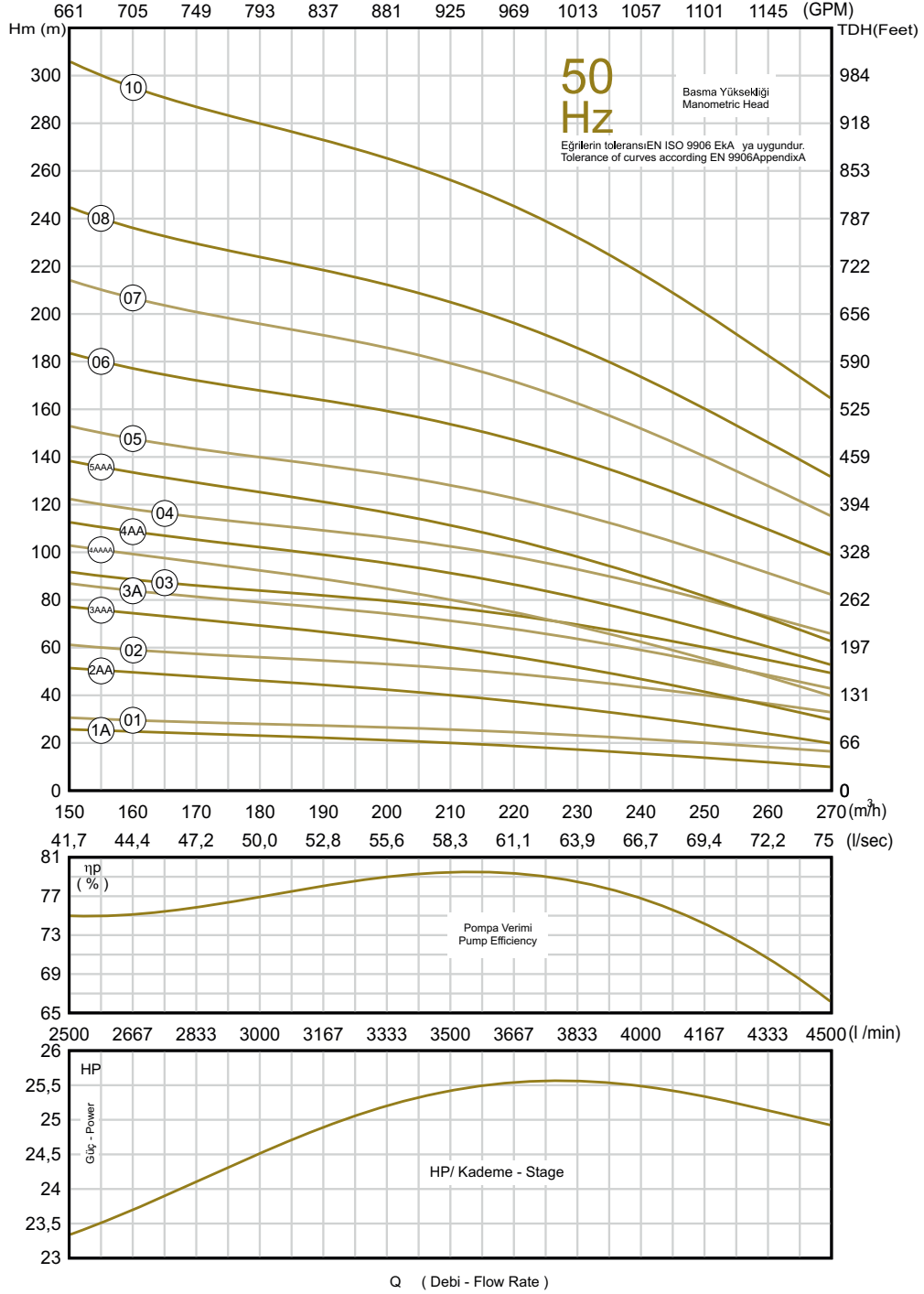
Pompa Tipi PumpType	Güç Power	Güç Power	m ³ /h lt/s	0,0	150,0	170,0	190,0	200,0	205,0	210,0	215,0	220,0	225,0	230,0	250,0	270,0
	HP	kW		0,00	41,67	47,22	52,78	55,56	56,94	58,33	59,72	61,11	62,50	63,89	69,44	75,00
10215 / 01A	20	15	MMS (m)	36	26	24	22	21	20	20	19	19	18	17	14	10
10215 / 01	25	18,5		42	31	29	27	27	26	26	25	24	24	23	20	16
10215 / 02AA	40	30		71	51	48	45	42	41	40	39	38	36	35	27	20
10215 / 02	50	37		84	61	57	55	53	52	51	50	49	48	46	40	33
10215 / 03AAA	60	45		107	77	72	67	63	61	60	58	56	55	52	41	30
10215 / 03A	70	51		119	87	81	77	74	73	71	69	68	66	63	54	43
10215 / 03	75	55		126	92	86	82	80	78	77	75	73	72	69	60	49
10215 / 04AAAA	80	59		142	103	96	89	85	82	79	78	75	73	69	55	40
10215 / 04AA	90	66		155	113	105	99	95	93	91	89	87	84	81	68	53
10215 / 04	100	75		168	122	115	109	106	105	103	100	98	96	92	80	66
10215 / 05AAA	110	81		190	138	129	122	116	114	111	108	105	103	98	81	63
10215 / 05	125	92		209	153	143	137	133	131	128	125	122	120	116	100	82
10215 / 06	150	110		251	184	172	164	159	157	154	150	147	144	139	121	99
10215 / 07	180	134		293	214	200	191	186	183	179	175	171	168	162	141	115
10215 / 08	200	147		335	245	229	219	212	209	205	200	196	192	185	161	131
10215 / 09	225	168		377	276	258	246	239	235	231	225	221	216	208	181	147
10215 / 10	250	185		419	306	286	273	265	261	256	250	245	240	231	201	164

ÖLÇÜ TABLOSU / DIMENSIONS CHART

Pompa Tipi Pump Type	Güç Power	Güç Power	Motor Tipi Motor Type	Ø=D	Q=A	Q=E	Pompa Uzunluğu Pump Length	Pompa Ağırlığı Pump Weight
	HP	kW			mm	mm		
10215 / 01A	20	15	6"	6"	232	234	776	51,6
10215 / 01	25	18,5					776	51,6
10215 / 02AA	40	30	6" 7" 8"				952	60,7
10215 / 02	50	37					952	60,7
10215 / 03AAA	60	45	7" 8"				1128	69,8
10215 / 03A	70	51					1128	69,8
10215 / 03	75	55	8"				1128	69,8
10215 / 04AAAA	80	59	7" 8"				1304	78,9
10215 / 04AA	90	66					1304	78,9
10215 / 04	100	75	8"				1304	78,9
10215 / 05AAA	110	81					1480	88,0
10215 / 05	125	92	8" 10"				1480	88,0
10215 / 06	150	110	10"				1656	97,1
10215 / 07	180	134					1832	106,2
10215 / 08	200	147					2008	115,3
10215 / 09	225	168					2096	120,0
10215 / 10	250	185		2184	124,4			

ÜRÜN ÖZELLİKLERİ			PRODUCT SPECIFICATIONS		
Pompa Mili	Paslanmaz Çelik	AISI 431	Pump Shaft	Stainless Steel	AISI 431
Çıkış Gövdesi	Paslanmaz Çelik	AISI 304	Delivery Body	Stainless Steel	AISI 304
Emiş Gövdesi	Paslanmaz Çelik	AISI 304	Suction Body	Stainless Steel	AISI 304
Ara Çanak	Paslanmaz Çelik	AISI 304	Intermediate Bowl	Stainless Steel	AISI 304
Fan	Paslanmaz Çelik	AISI 304	Impeller	Stainless Steel	AISI 304
Kaplin	Paslanmaz Çelik	AISI 431	Coupling	Stainless Steel	AISI 431
Fan Tespit Burcu	Paslanmaz Çelik	AISI 304	Impeller Lock Collet	Stainless Steel	AISI 304
Filtre & Kablo Kanalı	Paslanmaz Çelik	AISI 304	Filter & Cable Guard	Stainless Steel	AISI 304
Klepe	Paslanmaz Çelik	AISI 304	Valve Cap	Stainless Steel	AISI 304
Aşınma Halkası			Wear Ring		
Fan	Paslanmaz Çelik	AISI 304	Impeller	Stainless Steel	AISI 304
Difüzör	Kauçuk	NBR	Diffuser	Rubber	NBR





Hidrolik çalışma karakteristikleri 15°C deki suyla ve 1 bar atmosferik basınç altında alınmıştır.
The hydraulic working characteristics have been calculated with water at 15°C at the atmospheric pressure of 1 bar.

Performans eğrileri kinematik viskozite $\nu=1 \text{ mm}^2/\text{s}$ ve yoğunluk $\rho=1000 \text{ kg/m}^3$ temel alınarak oluşturulmuştur.
Performance curves are based on the kinematic viscosity $\nu=1 \text{ mm}^2/\text{s}$ and density $\rho=1000 \text{ kg/m}^3$