

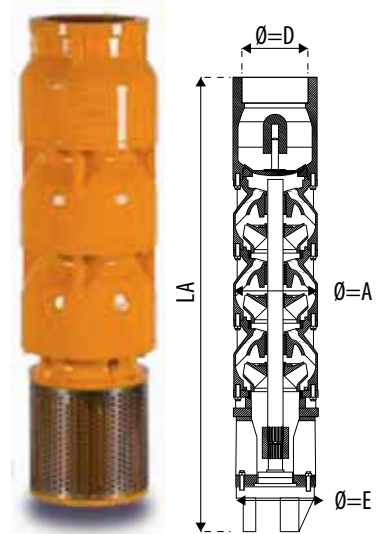
# PLD 10250

PERFORMANS TABLOSU / PERFORMANCE CHART

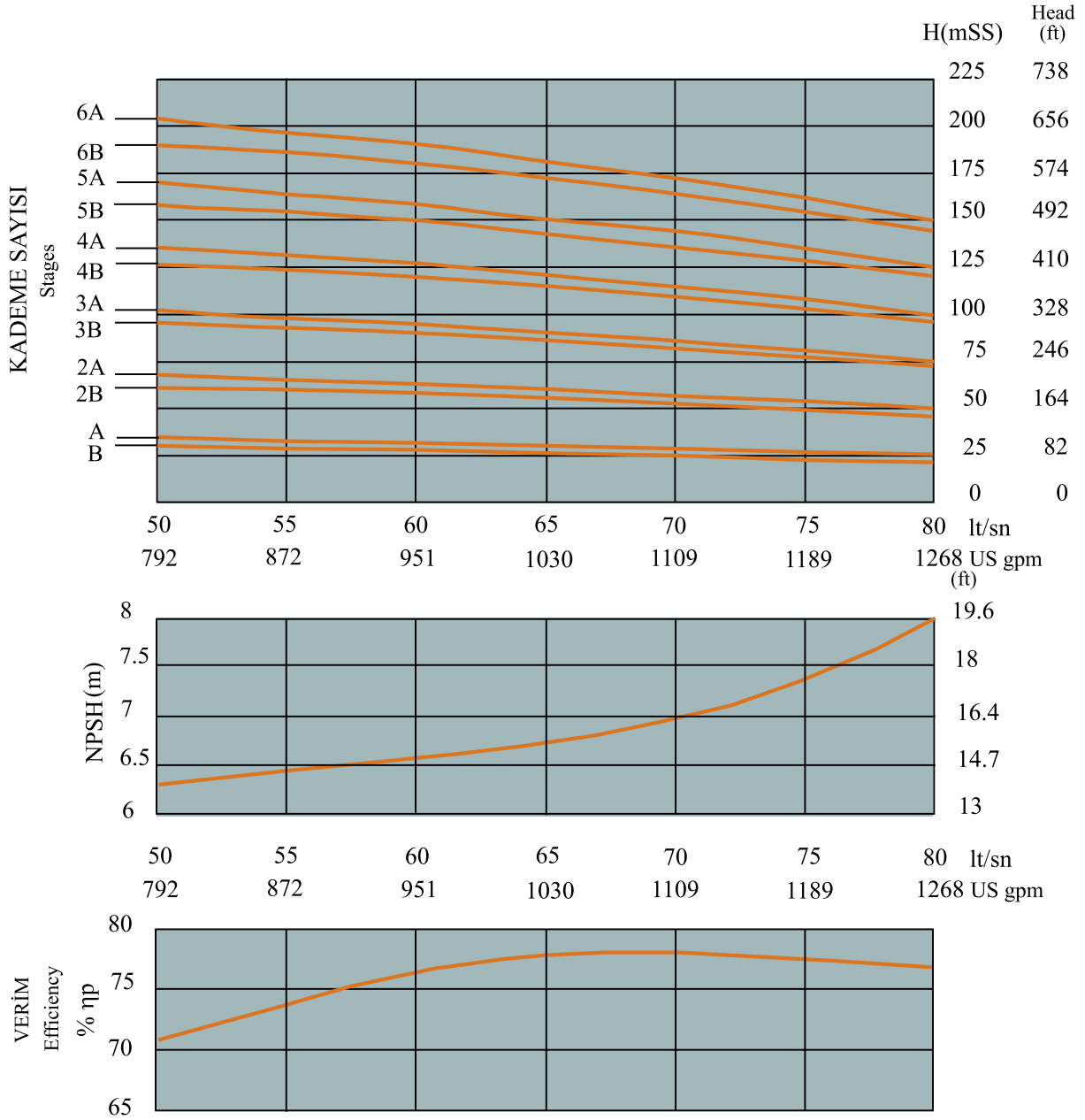
Pompa Tipi PumpType	Güç Power	Güç Power	Q m <sup>3</sup> /h Q lt/sec	180	198	216	234	250	270	288
	HP	kW		50	55,0	60	65,0	70	75,0	80
10250 / 01B	40	30	MMS (m)	32	31	30	28	27	25	24
10250 / 01A	50	37		34	33	32	30	29	27	25
10250 / 02B	75	55		63	62	60	58	54	52	48
10250 / 02A	95	70		68	65	63	60	57	54	50
10250 / 03B	110	81		95	93	90	87	82	77	72
10250 / 03A	125	92		102	98	95	91	86	81	75
10250 / 04B	150	110		126	124	120	115	109	103	96
10250 / 04A	200	147		136	131	127	122	115	108	100
10250 / 05B	200	147		158	155	150	144	136	129	120
10250 / 05A	225	165		170	164	159	151	144	135	125
10250 / 06B	225	165		190	186	180	173	164	155	144
10250 / 06A	250	185		204	197	191	182	173	162	150

ÖLÇÜ TABLOSU / DIMENSIONS CHART

Pompa Tipi PumpType	Güç Power	Güç Power	Motor Tipi Motor Type	Ø=D	Q=A	Q=E	Pompa Uzunluğu Pump Length	Pompa Ağırlığı Pump Weight						
	HP	kW			mm	mm	LA (mm)	Kg						
10250 / 01B	40	30	8"	6"	257	259	678	83						
10250 / 01A	50	37					678	83						
10250 / 02B	75	55					863	112						
10250 / 02A	95	70					863	112						
10250 / 03B	110	81	8" 10"				6"	257	259	1048	141			
10250 / 03A	125	92								1048	131			
10250 / 04B	150	110	10"							6"	257	259	1233	170
10250 / 04A	200	147											1233	170
10250 / 05B	200	147											1418	199
10250 / 05A	225	165											1418	199
10250 / 06B	225	165											1603	228
10250 / 06A	250	185											1603	228



ÜRÜN ÖZELLİKLERİ			PRODUCT SPECIFICATIONS		
Ara Çanak	Pik Döküm	GG20	Intermediate Bowl	Stainless Steel	GG20
Fan	Pik Döküm	GG20	Impeller	Stainless Steel	GG20
Pompa Mili	Paslanmaz Çelik	AISI 420	Pump Shaft	Stainless Steel	AISI 420
Kaplin	Paslanmaz Çelik	AISI 420	Coupling	Stainless Steel	AISI 420
Filtre & Kablo Kanalı	Paslanmaz Çelik	AISI 420	Filter & Cable Guard	Stainless Steel	AISI 420
Klepe	Paslanmaz Çelik	AISI 420	Valve Cap	Stainless Steel	AISI 420



PERFORMANS TABLOSU / PERFORMANCE CHART

Pompa Tipi PumpType	Güç Power	Güç Power	Q m <sup>3</sup> /h Q lt/sec	180	198	216	234	252	270	288	306	324	342	360	378
	HP	kW		50	55	60	65	70	75	80	85	90	95	100	105
10300 / 01B	40	30	MMS (m)	33	32	31	29	28	27	25	23	22	19	15	12
10300 / 01A	50	37		36	35	34	33	32	31	30	29	28	25	23	20
10300 / 02B	85	63		67	64	63	60	58	55	52	48	44	40	36	29
10300 / 02A	100	75		76	73	72	68	67	64	62	58	55	50	46	40
10300 / 03B	125	92		101	98	94	90	86	83	78	72	67	61	54	45
10300 / 03A	150	110		116	111	108	103	100	96	93	87	83	75	69	60
10300 / 04B	175	129		134	130	125	120	115	110	104	97	91	84	76	65
10300 / 04A	200	147		154	148	144	138	133	128	124	116	110	100	92	80
10300 / 05B	200	147		167	162	157	150	145	139	134	127	120	111	100	90
10300 / 05A	250	185		192	185	178	172	167	160	153	145	138	127	113	100

ÖLÇÜ TABLOSU / DIMENSIONS CHART

Pompa Tipi PumpType	Güç Power	Güç Power	Motor Tipi Motor Type	Ø=D	Q=A	Q=E	Pompa Uzunluğu Pump Length	Pompa Ağırlığı Pump Weight
	HP	kW			mm	mm	LA (mm)	Kg
10300 / 01B	40	30	8"	6"	257	259	678	83
10300 / 01A	50	37					678	83
10300 / 02B	85	63					863	112
10300 / 02A	100	75	8" 10"				863	112
10300 / 03B	125	92					1048	141
10300 / 03A	150	110	10"				1048	141
10300 / 04B	175	129					1233	170
10300 / 04A	200	147					1233	170
10300 / 05B	200	147					1418	199
10300 / 05A	250	185					1418	199

ÜRÜN ÖZELLİKLERİ			PRODUCT SPECIFICATIONS		
Ara Çanak	Pik Döküm	GG20	Intermediate Bowl	Stainless Steel	GG20
Fan	Pik Döküm	GG20	Impeller	Stainless Steel	GG20
Pompa Mili	Paslanmaz Çelik	AISI 420	Pump Shaft	Stainless Steel	AISI 420
Kaplin	Paslanmaz Çelik	AISI 420	Coupling	Stainless Steel	AISI 420
Filtre & Kablo Kanalı	Paslanmaz Çelik	AISI 420	Filter & Cable Guard	Stainless Steel	AISI 420
Klepe	Paslanmaz Çelik	AISI 420	Valve Cap	Stainless Steel	AISI 420

